



REBEL F50

Manual



Specifications

General

■ Fan Speed	600 – 2,000 rpm ± 10 %
■ Bearing Type	Fluid Dynamic Bearing
■ Max. Airflow	131.93 m ³ /h
■ Max. Air Pressure	2.90 mmH ₂ O
■ Noise Level	35 dB(A)
■ MTBF	Min. 50,000 Hours
■ Illumination	12x Addressable RGB LEDs
■ Color Versions	Black, White
■ Weight incl. Fixed Cable	180 g
■ Dimensions (L x W x H)	120 x 120 x 25 mm

Cable and Connectors

■ Fan Connector	4-Pin PWM
■ LED Connector	4-Pin (5V-D-coded-G)
■ Fan Cable Length	450 mm
■ LED Cable Length	450 mm

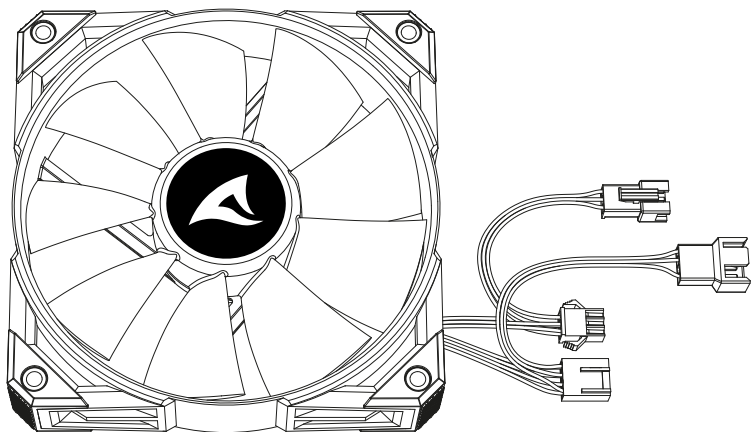
Electrical Specifications

■ Rated Voltage (Fan)	12 V
■ Rated Voltage (LEDs)	5 V
■ Rated Current (Fan)	0.21 A
■ Rated Current (LEDs)	0.54 A
■ Rated Power (Fan)	2.52 W
■ Rated Power (LEDs)	2.7 W
■ Start Voltage	7 V

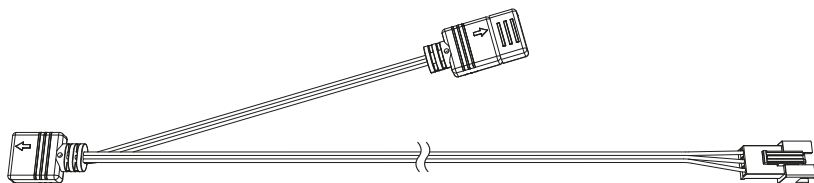
Package Contents

■ Rebel F50 PWM, Set with Fan Screws, Fan Extension Cable, RGB Extension Cable
--

Package Contents

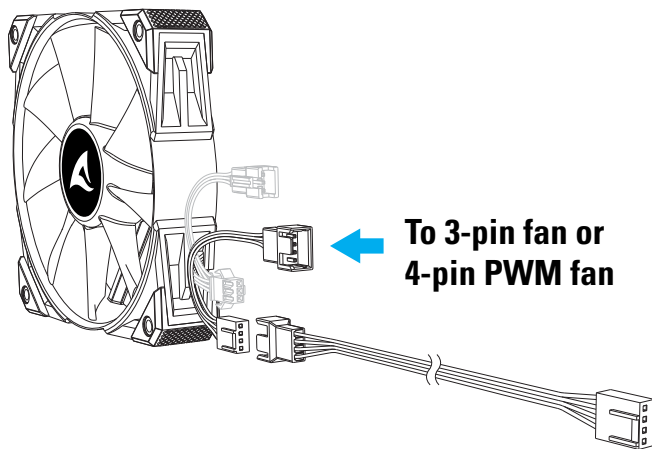


Fan extension cable



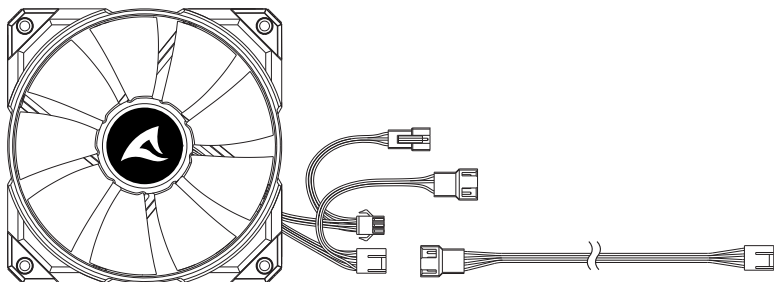
RGB extension cable

Connect Fan



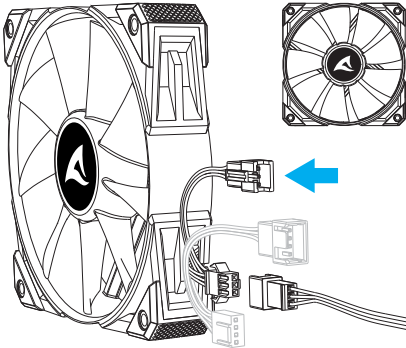
To 3-pin fan or
4-pin PWM fan

To connector for 3-pin fan or
4-pin PWM fan on mainboard or controller

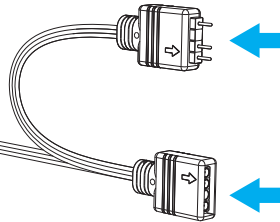


Connect LED

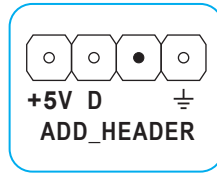
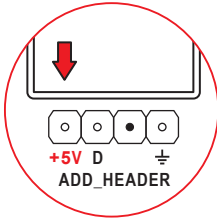
To another Rebel F50 fan



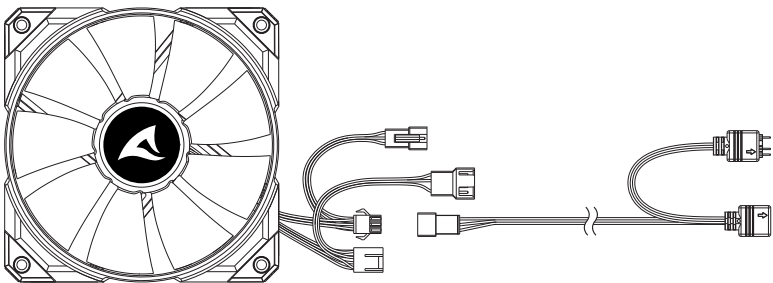
To another RGB device



To RGB control



Mainboard addressable RGB-pin header



Legal Disclaimer

For potential loss of data, especially due to inappropriate handling, Sharkoon assumes no liability.

All named products and descriptions are trademarks and/or registered trademarks of the respective manufacturers and are accepted as protected. As a continuing policy of product improvement at Sharkoon, the design and specifications are subject to change without prior notice. National product specifications may vary.

All rights reserved especially (also in extracts) for translation, reprinting, reproduction by copying or other technical means. Infringements will lead to compensation. All rights reserved especially in case of assignation of patent or utility patent. Means of delivery and technical modifications reserved.

Disposal of your old products

Your product is designed and manufactured with high quality materials and components, which can be recycled and reused.



When this crossed-out wheeled bin symbol is attached to a product, it means the product is covered by the European Directive 2012/19/EU.

Please be informed about the local separate collection system for electrical and electronic products. Please act according to your local rules and do not dispose of your old products with your normal household waste. The correct disposal of your old product will help prevent potential negative consequences to the environment and human health.

Follow us on social media!



Facebook



Instagram



YouTube



TikTok



X

Sharkoon Technologies GmbH

Grüniger Weg 48

35415 Pohlheim

Germany

© **Sharkoon Technologies 2024**

