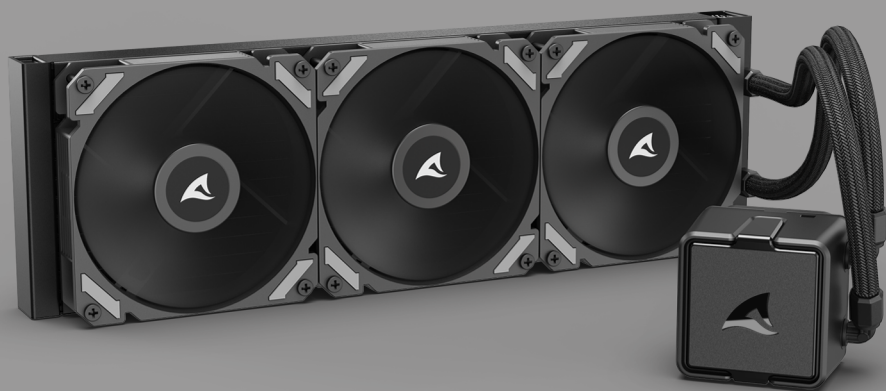




S40



Manual

Safety Instructions

The device is intended as a CPU cooler for use in a PC case. For your own safety, be sure to read the instructions below before using the device. If the product is damaged due to improper use or non-compliance with the safety instructions, the manufacturer's guarantee will be void.

CAUTION!

- Mount the CPU cooler outside of the PC case. If the PC case is to be transported, remove the CPU cooler from the PC case.
- Only connect the device to the designated connectors on the mainboard as shown in this manual. If necessary, use the operating manual of your mainboard to clearly identify the correct connectors.
- Beware of the risk of injury from the sharp edges and corners of the cooling fins and from rotating fan blades. Do not insert any foreign objects between the rotating fan blades, as this could damage the fan.
- To avoid the risk of injury, do not touch the CPU cooler during operation.
- Never bring the device into contact with moisture or liquids.
- Do not use compressed air for cleaning the fan. This could create an electrical charge from the spinning rotor and result in damage to components. Use a dry cloth instead.
- Not suitable for children under 6 years of age. Contains small parts. Choking hazard!

Warranty Conditions

Within the EU and in selected non-EU countries, Sharkoon provides a limited manufacturer's warranty with a duration of 3 years on this product. This warranty is independent of the statutory guarantee and does not impair or limit any of the purchaser's rights which already exist under the statutory guarantee. A current overview of the non-EU countries where the warranty applies can be found on the official Sharkoon website at www.sharkoon.com under "Warranty Conditions". The limited manufacturer's warranty is provided according to the following conditions:

1) Duration of Warranty

The duration of the warranty begins at the time of purchase of the new product by the end user, but no later than 6 months after the production date. The duration of the warranty is not extended due to any replacement or repair which has been carried out under the conditions of the warranty. However, the warranty ends not earlier than 6 months after a replacement or repair.

2) Scope of Warranty

Sharkoon warrants that the product covered by the warranty is free from material and manufacturing defects within the warranty's specified duration. This is under the condition that the product is used as intended and in accordance with the safety instructions in this document. In particular, the following are not covered by the warranty:

- Damage due to improper use or installation
- Modified products, even if the modification is not the cause of the fault
- Damage caused by external influences such as power failures, over-voltage, improper power supply, contact with liquids, or physical impact
- Visual defects that do not impair the function

The warranty is limited to the actual product. Accessories that are not permanently connected to the product, such as plug-in cables, are not covered by the warranty. Liability for consequential loss and/or damage due to a product defect is also excluded, unless liability is specifically prescribed by law.

3) Service Offered by the Warranty

In the event of a warranty claim, Sharkoon may, at its own discretion, repair the product or replace it with a product of at least equal worth. If repair or replacement is not possible, Sharkoon will refund to a value which is either based on the manufacturer's recommend retail price at the time of purchase or on the actual purchase price (whichever is lower), less a usage fee of 10% of the applicable price for each complete year of use.

Warranty Conditions

4) Warranty Processing

To make a warranty claim, please contact the Sharkoon technical support by e-mail at support@sharkoon.com. The following is required for any claim:

- Proof of purchase (invoice, bill) with date
- Serial number
- Detailed description of the defect

If, after an initial analysis, it is necessary for you to send the affected product to Sharkoon so that the fault can be rectified, you will receive a return label which can be used for dispatching within the EU. In the case of products purchased in non-EU countries, the further procedure will be arranged with you directly.

Please send the actual product including its accessories. There is no liability for damage or loss of any additional items. The product must be sent in suitable packing materials and in such a way that any further damage during normal transportation is excluded. After it has been received, the product is checked to determine whether or not there is a claim which is covered by the warranty.

If there is a valid claim, the service offered by the warranty will be provided as quickly as possible, but at the latest within 4 weeks after receiving the product. Dispatch within the EU is free of charge. In the event of shipment to a non-EU country, Sharkoon shall be entitled to invoice any additional costs incurred and to make shipment dependent on prior payment.

If no warranty claim can be determined, the product can, at your discretion, be returned to you for a fee, disposed of free of charge or, if possible, repaired for a fee. In the case of chargeable repairs, special conditions may apply, which will be discussed with you beforehand.

If you are sent a replacement product or a refund at the determined value, the product which you originally sent will be disposed of free of charge by Sharkoon.

Specifications

General:

CPU Socket Compatibility:	Intel® LGA 1700 / 1851 AMD® AM4 / AM5
Weight:	1.34 kg

Water Block & Pump:

Dimensions (L x W x H):	65 x 65 x 59 mm
Cold Plate Material:	Copper
Pump Speed:	2,100 – 2,700 rpm ± 10 %
Rated Voltage (Pump):	12 V
Rated Current (Pump):	0.24 A
Rated Power (Pump):	2.88 W
Pump Connector:	4-Pin PWM
Pump Cable Length:	280 ± 10 mm

Radiator:

Type:	Brazed Radiator
Dimensions (L x W x H):	396 x 120 x 27 mm
Material:	Aluminium Alloy

Tubing:

Length:	400 mm
---------	--------

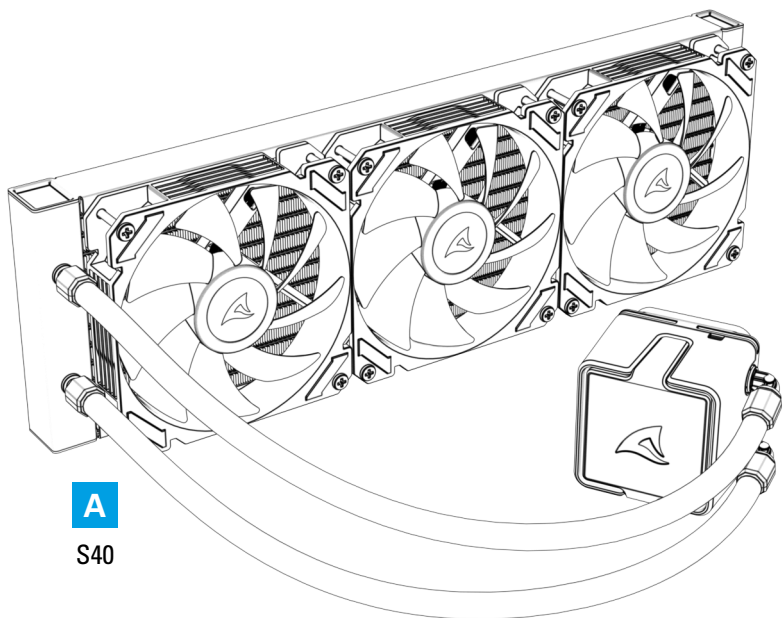
Fans:

Number of Fans:	3
Dimensions (L x W x H):	120 x 120 x 25 mm
Fan Speed:	500 – 2,000 rpm ± 10 %
Max. Airflow:	141.75 m ³ /h
Max. Air Pressure:	2.18 mmH ₂ O
Max. Noise Level:	34.3 dB(A)
Rated Voltage (Fan):	12 V
Rated Current (Fan):	0.40 A
Rated Power (Fan):	4.8 W
Fan Connector:	4-Pin PWM
Fan Cable Length:	500 mm

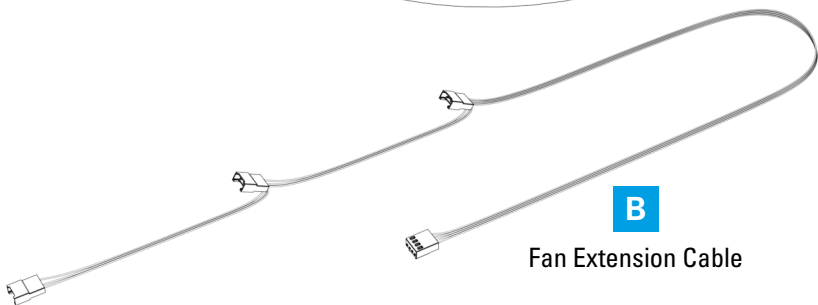
Package Contents:

S40, Intel® Mounting Bracket, AMD® Mounting Bracket, Backplate, Mounting Screws, Thermal Paste

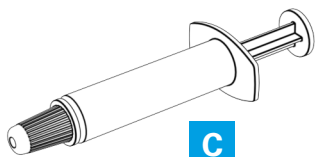
Package Contents



A
S40



B
Fan Extension Cable



C
Thermal Paste



D
Radiator
mounting screw



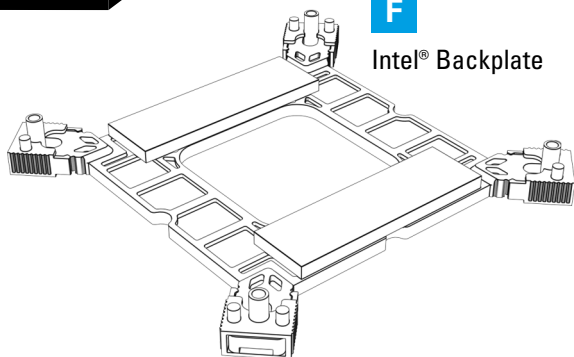
E
Thumbscrew

Package Contents

Intel®

F

Intel® Backplate



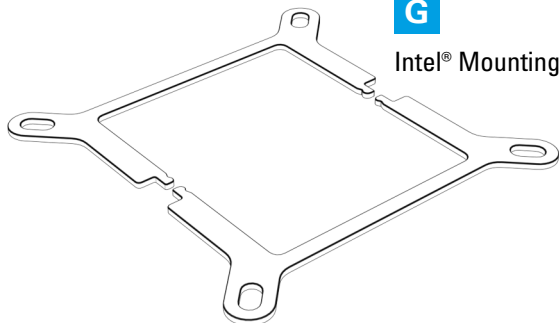
H

Intel® Mounting Standoff



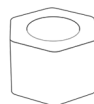
G

Intel® Mounting Bracket



I

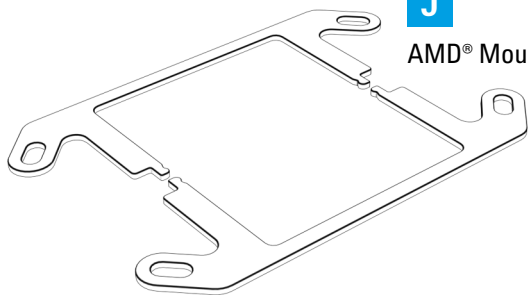
Silicone Pad



AMD®

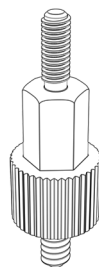
J

AMD® Mounting Bracket

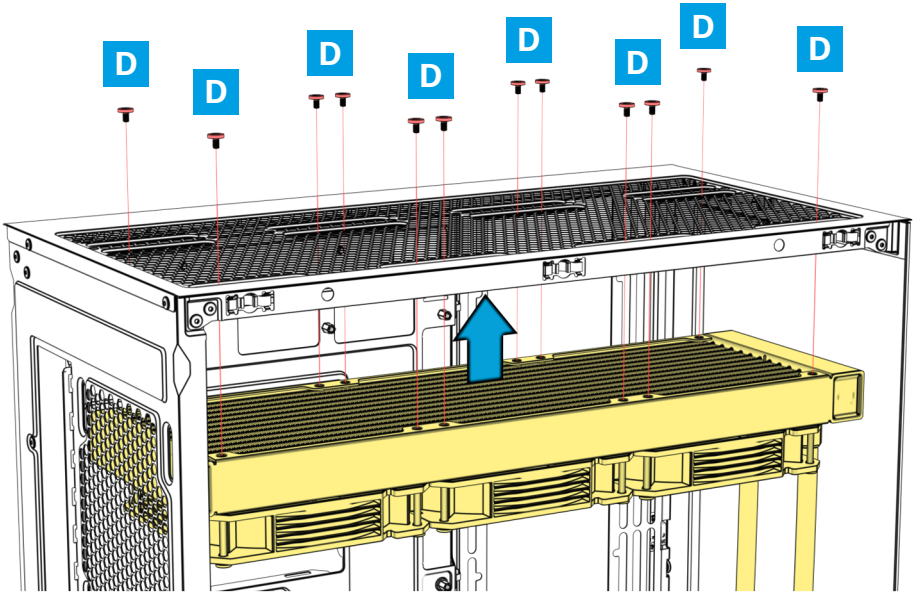


K

AMD® Mounting Standoff

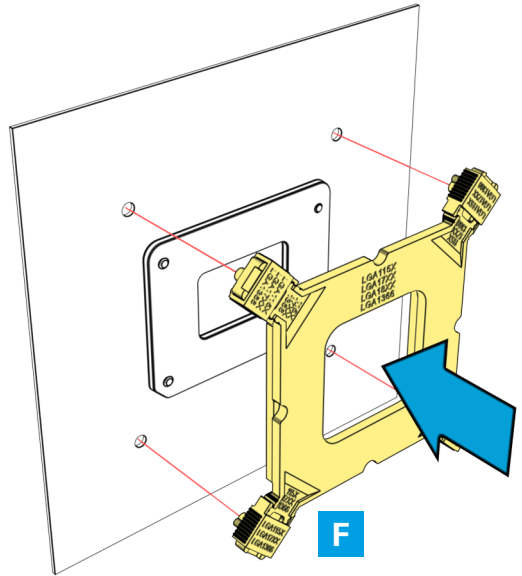
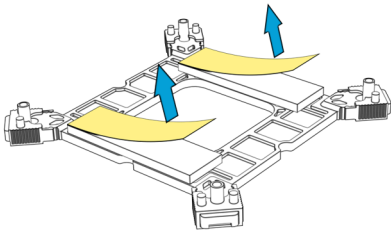
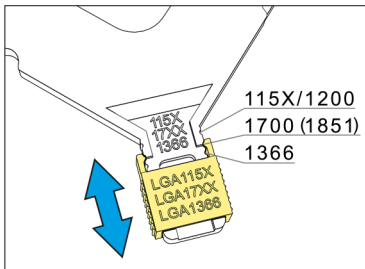


Radiator Installation

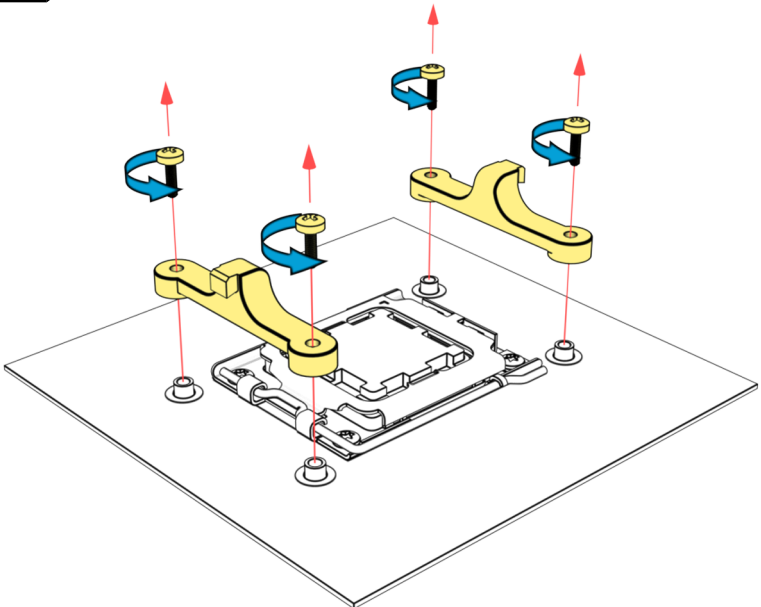


Water Block & Pump Installation

Intel®

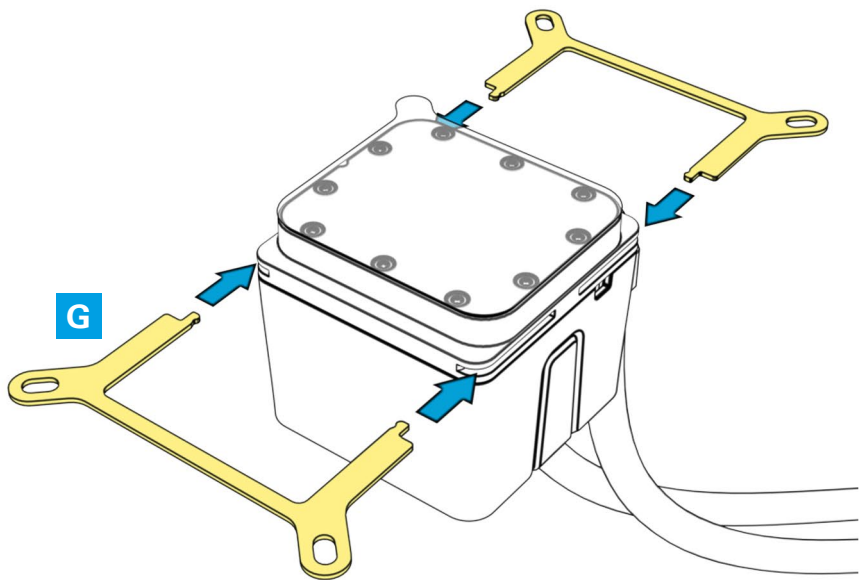


AMD®

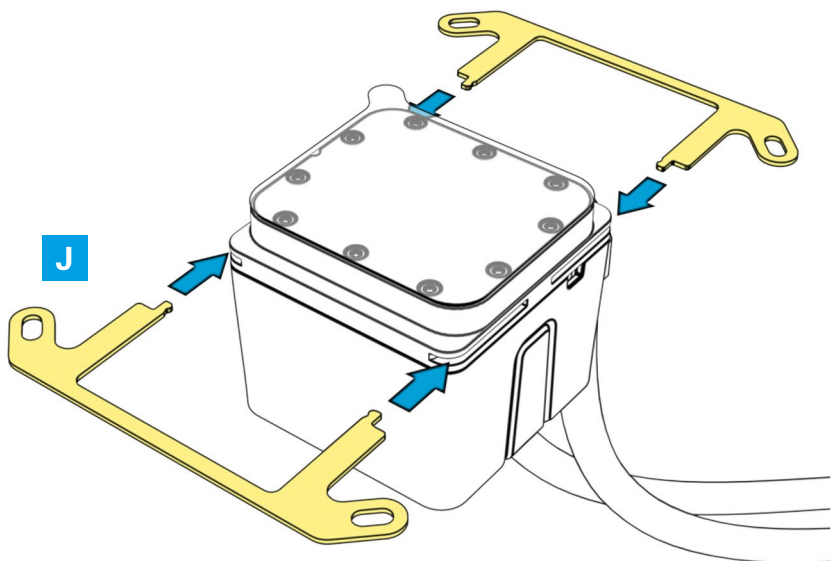


Water Block & Pump Installation

Intel®

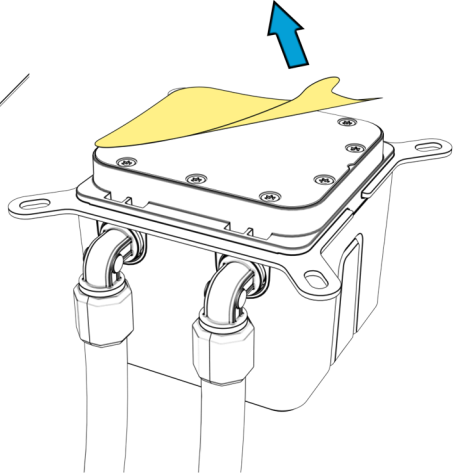
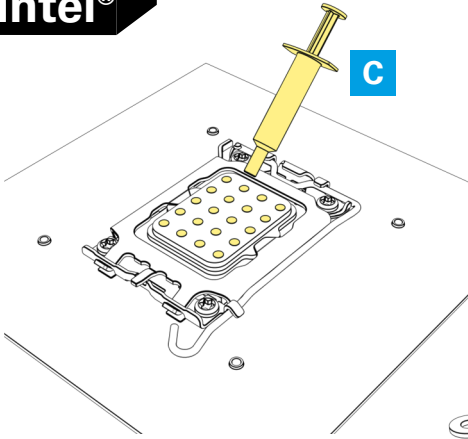


AMD®

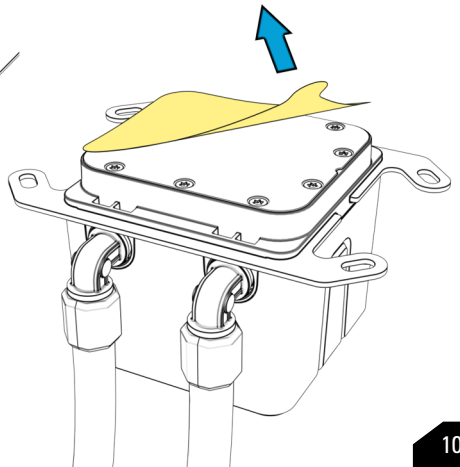
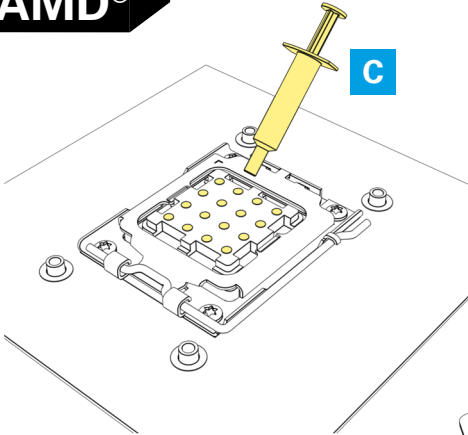


Water Block & Pump Installation

Intel®

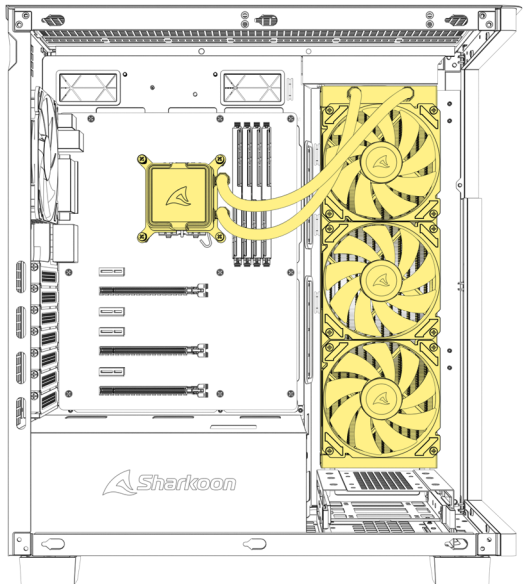
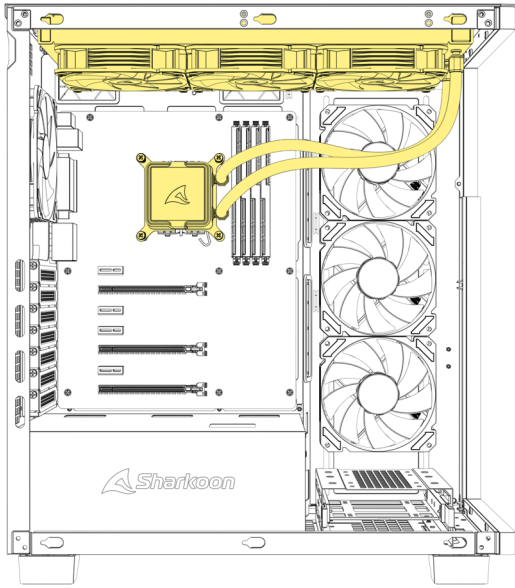


AMD®



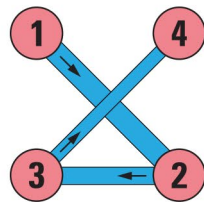
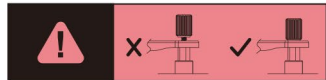
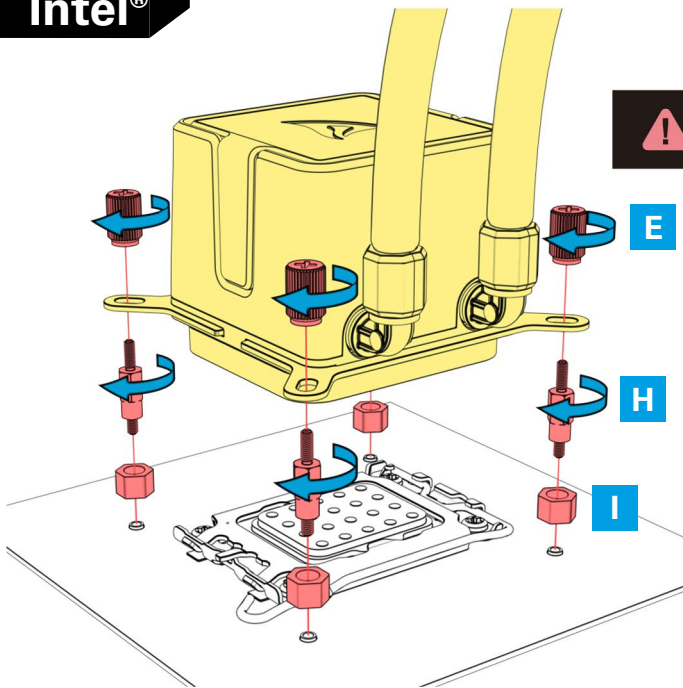
Water Block & Pump Installation

Due to the orientation of the logo on the pump head, we recommend installing it so that the water hoses are positioned on the right side.

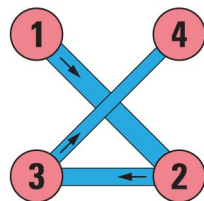
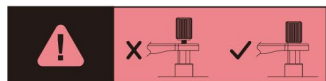
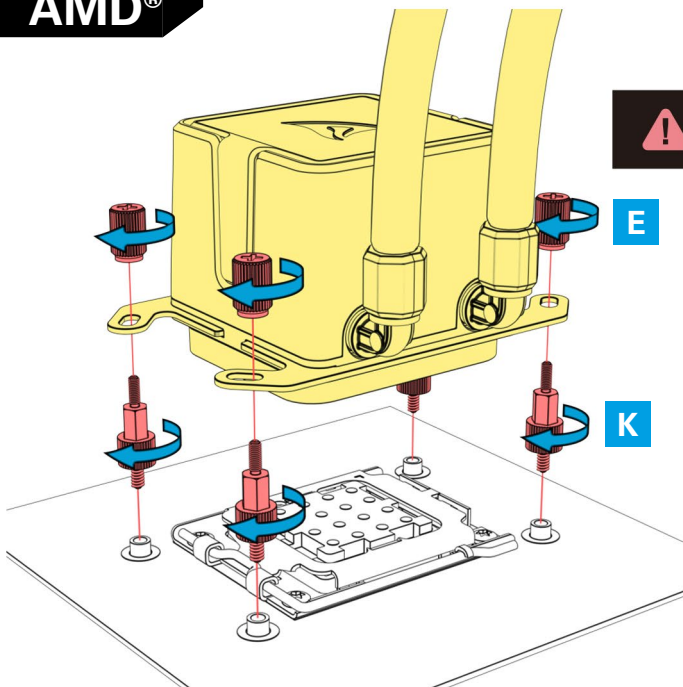


Water Block & Pump Installation

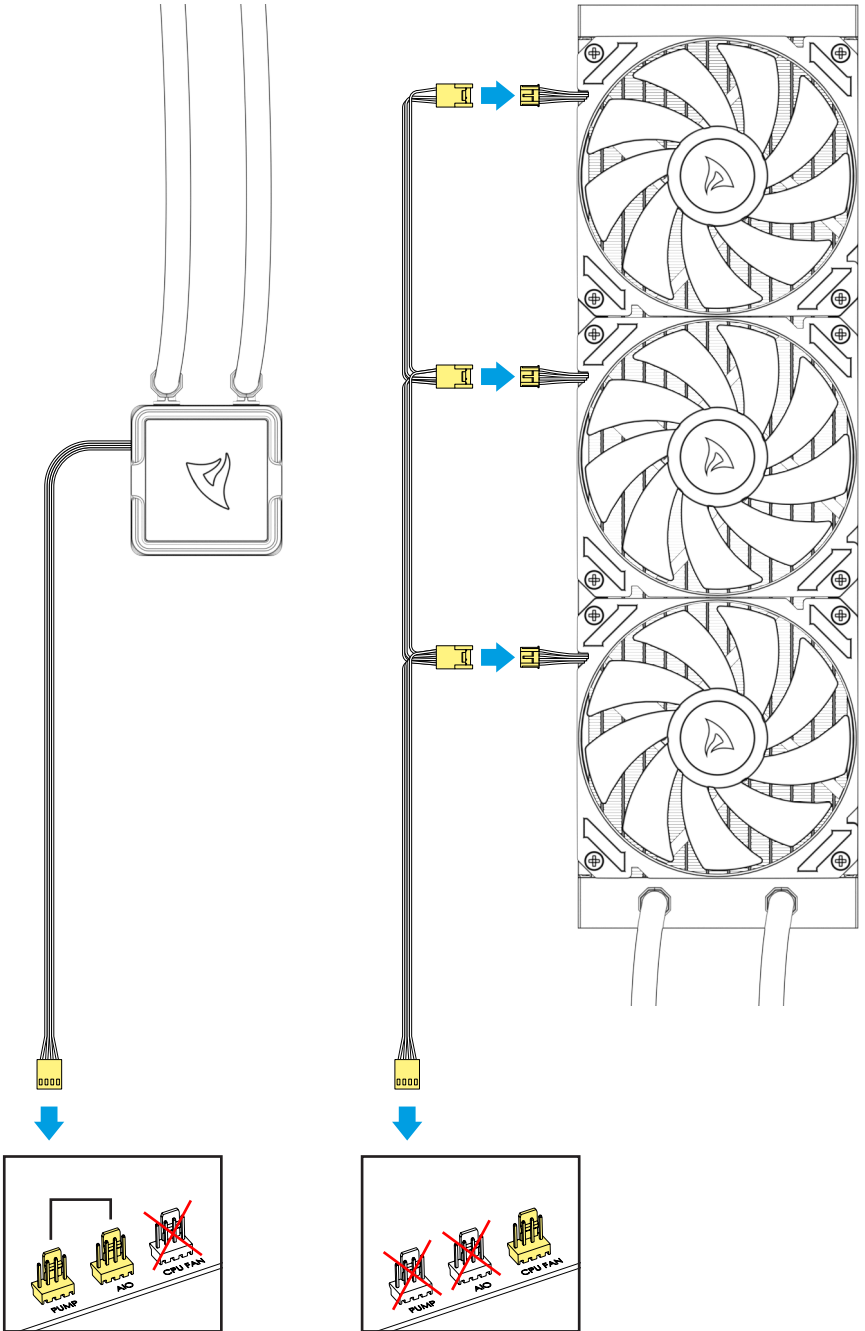
Intel®



AMD®



Connect power



Legal Disclaimer

For potential loss of data, especially due to inappropriate handling, Sharkoon assumes no liability.

All named products and descriptions are trademarks and/or registered trademarks of the respective manufacturers and are accepted as protected. As a continuing policy of product improvement at Sharkoon, the design and specifications are subject to change without prior notice. National product specifications may vary.

All rights reserved especially (also in extracts) for translation, reprinting, reproduction by copying or other technical means. Infringements will lead to compensation. All rights reserved especially in case of assignment of patent or utility patent. Means of delivery and technical modifications reserved.

Disposal of your old products

Your product is designed and manufactured with high quality materials and components, which can be recycled and reused.



When this crossed-out wheeled bin symbol is attached to a product, it means the product is covered by the European Directive 2012/19/EU.

Dispose of waste electrical and electronic equipment in accordance with the regulations in your country and do not dispose of your old electrical and electronic equipment with normal household waste. Rechargeable and single-use batteries must be disposed of separately from other waste. The correct disposal of your old product will help prevent potential negative consequences to the environment and human health.

Follow us on social media!



Facebook



Instagram



YouTube



TikTok



X

Sharkoon Technologies GmbH

Grüninger Weg 48

35415 Pohlheim

Germany

© Sharkoon Technologies 2026

