



**OfficePal**  
**C50/C50M**

**Manual**

# Specifications

General	OfficePal C50	OfficePal C50M
■ Foam Type	High-Density Molded Foam	–
■ Foam Density	60 - 65 kg/m <sup>3</sup>	–
■ Frame Construction	Nylon	Nylon
■ Seat Cover Material	Fabric (Seat Base) / Mesh (Backrest)	Mesh
■ Color Versions	Black	Grey
■ Adjustable Armrests	5D	5D
■ Armrest Pad Size (L x W)	24.5 x 9 cm	24.5 x 9 cm
■ Mechanism	Wireline Control Mechanism	Wireline Control Mechanism
■ Tilt Lock	✓	✓
■ Tilt Angle Lock	✓	✓
■ Adjustable Tilt Angle	0° - 30°	0° - 30°
■ Gas Lift Piston	Class 4	Class 4
■ Seat Back Style	High-Back	High-Back
■ Adjustable Headrest	3D	3D
■ Adjustable Backrest	12 Heights	12 Heights
■ Adjustable Seat Depth	✓	✓
■ Adjustable Lumbar Support	✓	✓
■ Base Type	Steel Five-Star Base	Steel Five-Star Base
■ Wheel Size	60 mm	60 mm
■ Assembly Required	✓	✓

## Safety Certifications

■ Chair (General)	DIN EN 13335-1/2	DIN EN 13335-1/2
■ Gas Lift Piston	DIN EN 16955	DIN EN 16955

## Weight & Dimensions

■ Seating Size (W x D)	50 x 47 cm	50 x 47 cm
■ Maximum Seating Height	52 cm	51.5 cm
■ Minimum Seating Height	44 cm	43.5 cm
■ Max. Armrest Height from Floor	82 cm	82 cm
■ Min. Armrest Height from Floor	63 cm	63 cm
■ Backrest Height	57 - 62 cm	58 - 63 cm
■ Backrest Shoulder Width	49 cm	49 cm
■ Package Size (L x W x H)	70 x 40 x 52 cm	70 x 40 x 52 cm
■ Max. Height of Recommended User	190 cm	190 cm
■ Weight	19.7 kg	18.2 kg
■ Max. Weight Capacity	136 kg	120 kg

## Package Contents

■ OfficePal C50 / OfficePal C50M / Accessory Set
--

# Safety Instructions

This product is intended as a chair for use in dry indoor areas. For your own safety, always follow the instructions below and make sure that the product is not damaged before use. In addition, only use compatible and authorized accessories intended for this product. The manufacturer's guarantee will be void if the product or any installed hardware components are damaged due to improper use or non-compliance with these safety instructions. Should any problems occur with the product, contact our technical customer support at [support@sharkoon.com](mailto:support@sharkoon.com).

- **WARNING!** Choking or suffocation hazard due to small parts and packaging materials. Keep the product and its packaging materials away from children under the age of 6 years!
- **WARNING!** Risk of injury such as cuts or contusion. Be aware of any sharp edges, openings and moving parts. Use safety gloves while assembling.
- **WARNING!** Risk of injury from falls such as bone fractures and lacerations. Do not use the product as a stepladder and do not leave any objects on it. Always make sure to keep your feet on the floor while sitting.
- **CAUTION!** Damage to joints due to poor body posture. Be aware of the correct ergonomic positioning of your chair and equipment and take regular breaks!
- **PLEASE NOTE!** To avoid any unwanted noise from the product, occasionally check and tighten the screws and oil moving parts.

# Product Information

1. We recommend that the chair be assembled with the help of a second person.
2. To avoid any possibility of the chair tipping over, ensure that the weight on the chair is evenly distributed.
3. Ensure you keep your feet on the ground at all times.  
Do not sit on the armrests.
4. Do not place heavy objects on the chair and do not use it as a ladder.
5. Avoid direct sunlight to ensure plastic components do not become brittle.
6. Do not use aggressive cleaning agents to clean the chair.
7. The chair is classified as a type-C office work chair.
8. Attention! Only instructed personnel should replace or work on the chair adjustment elements.
9. We recommend using the chair only on standard, even floor surfaces and only indoors.
10. Ensure that all parts are intact and properly installed. Incorrect installation may result in injury. Damaged parts can affect safety and function.
11. Do not use the chair when parts are damaged or missing.  
Damaged parts can affect safety and function.
12. Never stand on the chair, use as a ladder, climbing aid or the like.
13. Keep small parts and packaging away from children.  
There is a risk of suffocation!
14. The chair is not a children's toy. Keep babies and toddlers away from the swivel chair.
15. With sensitive hard floors (e.g. laminate, cork, parquet), use a commercially available floor protection mat.
16. The manufacturer assumes no liability for direct damage or consequential damage resulting from improper use or non-observance of the instructions.
17. The chair is durable up to 136 kg (C50) / 120 kg (C50M).

# Warranty Conditions

Within the EU and in selected non-EU countries, Sharkoon provides a limited manufacturer's warranty with a duration of 5 years on this product. This warranty is independent of the statutory guarantee and does not impair or limit any of the purchaser's rights which already exist under the statutory guarantee. A current overview of the non-EU countries where the warranty applies can be found on the official Sharkoon website at [www.sharkoon.com](http://www.sharkoon.com) under "Warranty Conditions". The limited manufacturer's warranty is provided according to the following conditions:

## 1) Duration of Warranty

The duration of the warranty begins at the time of purchase of the new product by the end user, but no later than 6 months after the production date. The duration of the warranty is not extended due to any replacement or repair which has been carried out under the conditions of the warranty. However, the warranty ends not earlier than 6 months after a replacement or repair.

## 2) Scope of Warranty

Sharkoon warrants that the product covered by the warranty is free from material and manufacturing defects within the warranty's specified duration. This is under the condition that the product is used as intended and in accordance with the safety instructions in this document. In particular, the following are not covered by the warranty:

- Damage due to improper use or installation
- Modified products, even if the modification is not the cause of the fault
- Damage caused by external influences such as power failures, over-voltage, improper power supply, contact with liquids, or physical impact
- Visual defects that do not impair the function

The warranty is limited to the actual product. Accessories that are not permanently connected to the product, such as plug-in cables, are not covered by the warranty. Liability for consequential loss and/or damage due to a product defect is also excluded, unless liability is specifically prescribed by law.

# Warranty Conditions

## 3) Service Offered by the Warranty

In the event of a warranty claim, Sharkoon may, at its own discretion, repair the product or replace it with a product of at least equal worth. If repair or replacement is not possible, Sharkoon will refund to a value which is either based on the manufacturer's recommend retail price at the time of purchase or on the actual purchase price (whichever is lower), less a usage fee of 10% of the applicable price for each complete year of use.

## 4) Warranty Processing

To make a warranty claim, please contact the Sharkoon technical support by e-mail at [support@sharkoon.com](mailto:support@sharkoon.com). The following is required for any claim:

- Proof of purchase (invoice, bill) with date
- Serial number
- Detailed description of the defect

If, after an initial analysis, it is necessary for you to send the affected product to Sharkoon so that the fault can be rectified, you will receive a return label which can be used for dispatching within the EU. In the case of products purchased in non-EU countries, the further procedure will be arranged with you directly.

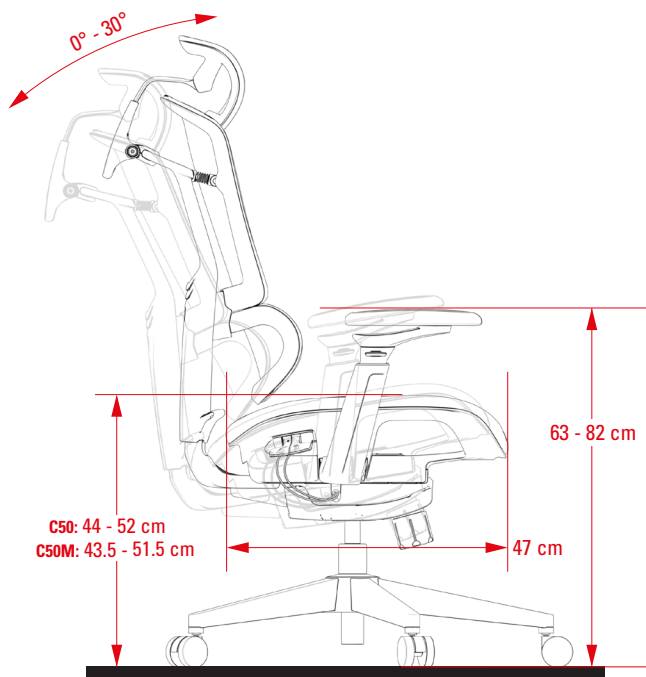
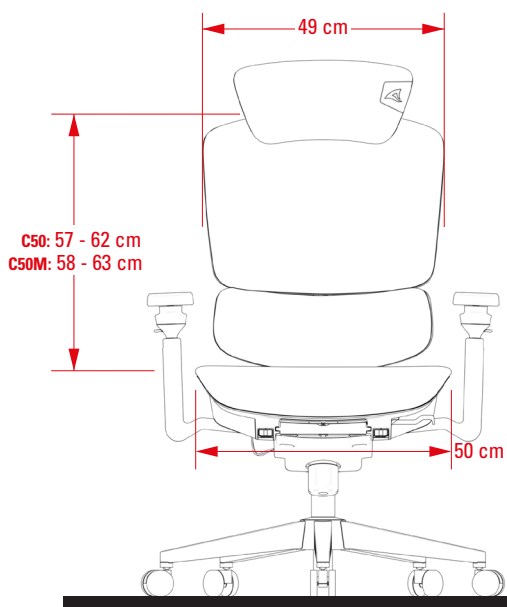
Please send the actual product including its accessories. There is no liability for damage or loss of any additional items. The product must be sent in suitable packing materials and in such a way that any further damage during normal transportation is excluded. After it has been received, the product is checked to determine whether or not there is a claim which is covered by the warranty.

If there is a valid claim, the service offered by the warranty will be provided as quickly as possible, but at the latest within 4 weeks after receiving the product. Dispatch within the EU is free of charge. In the event of shipment to a non-EU country, Sharkoon shall be entitled to invoice any additional costs incurred and to make shipment dependent on prior payment.

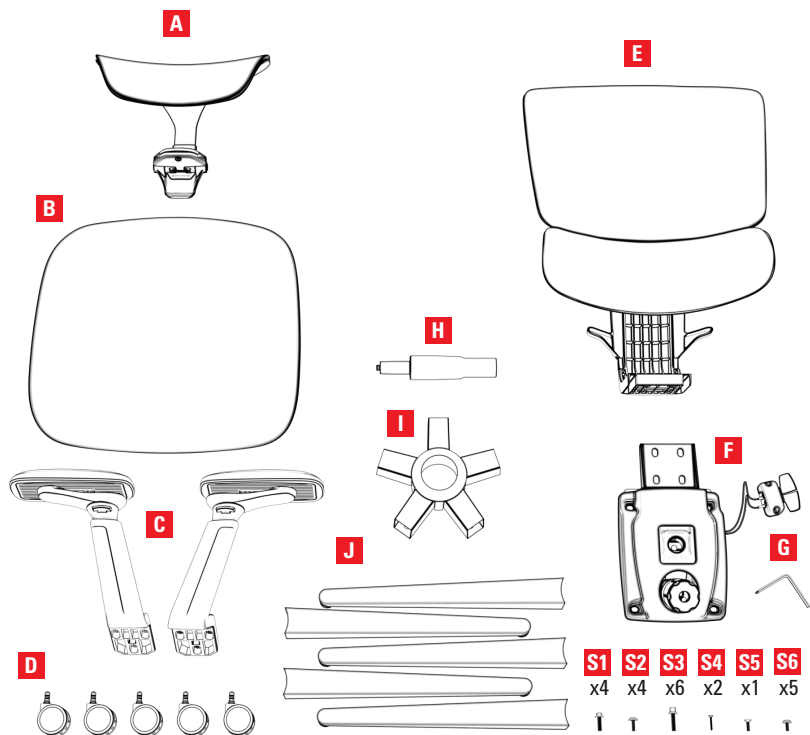
If no warranty claim can be determined, the product can, at your discretion, be returned to you for a fee, disposed of free of charge or, if possible, repaired for a fee. In the case of chargeable repairs, special conditions may apply, which will be discussed with you beforehand.

If you are sent a replacement product or a refund at the determined value, the product which you originally sent will be disposed of free of charge by Sharkoon.

# Dimensions



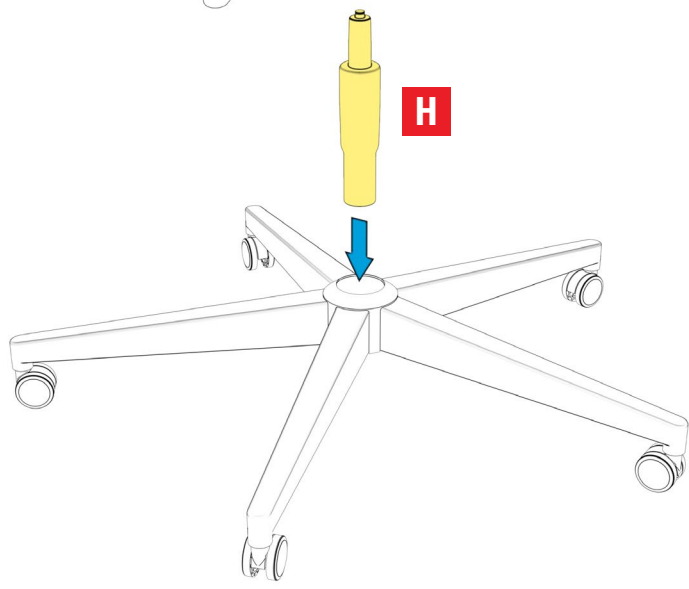
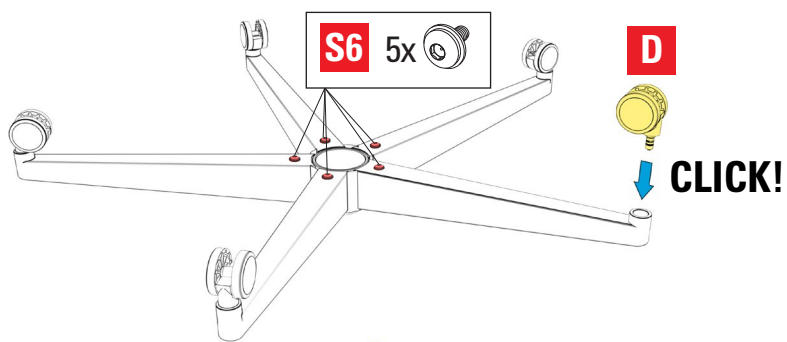
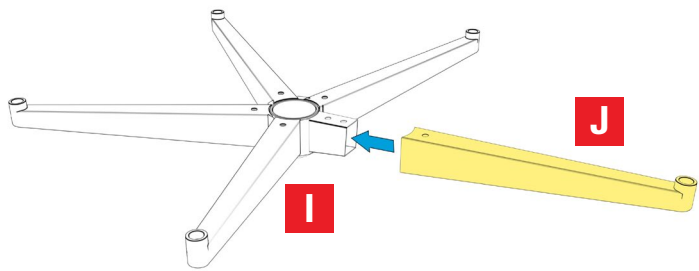
# Package Contents



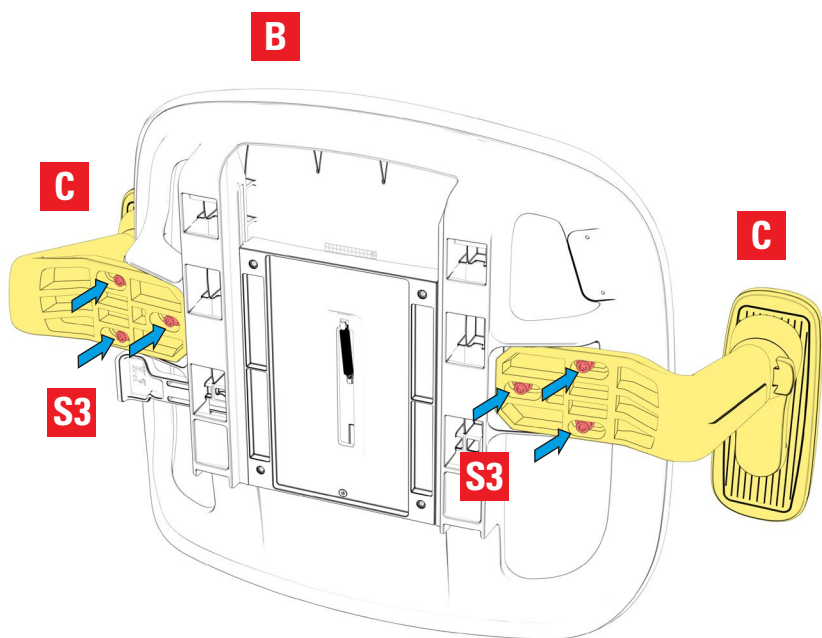
- A** 1x Headrest
- B** 1x Seat Base
- C** 2x Armrest
- D** 5x 60 mm wheels
- E** 1x Backrest
- F** 1x Chair mechanism
- G** 1x Hex key
- H** 1x Gas lift piston
- I** 1x Core (five-star base)
- J** 5x Arm (five-star base)

- S1** 4x M6 x 25 mm screw
- S2** 4x M8 x 20 mm screw
- S3** 6x M6 x 35 mm screw
- S4** 2x M5 x 25 mm screw
- S5** 1x M6 x 20 mm screw
- S6** 5x M6 x 16 mm screw

# Five-Star Base and Gas Lift Piston

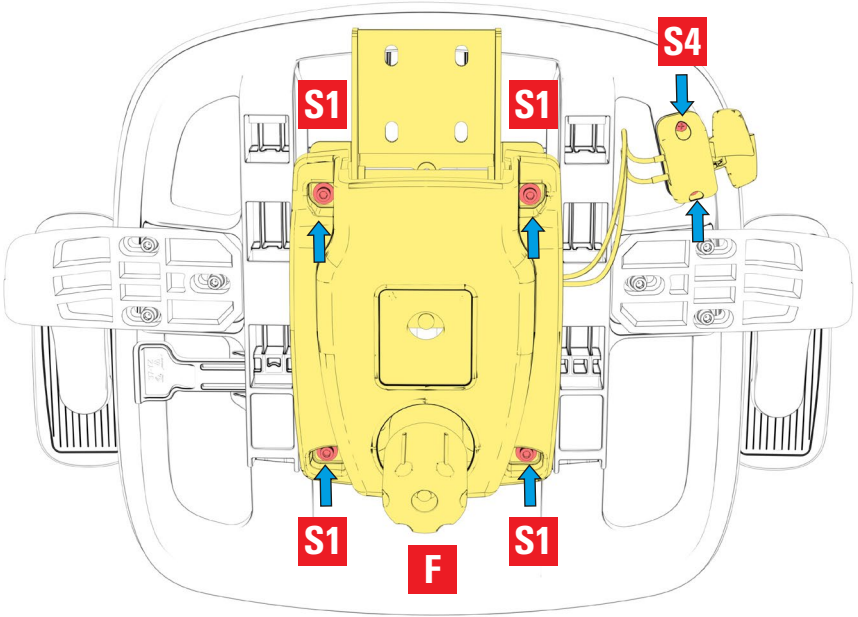


# Connect Armrests with Seat Base

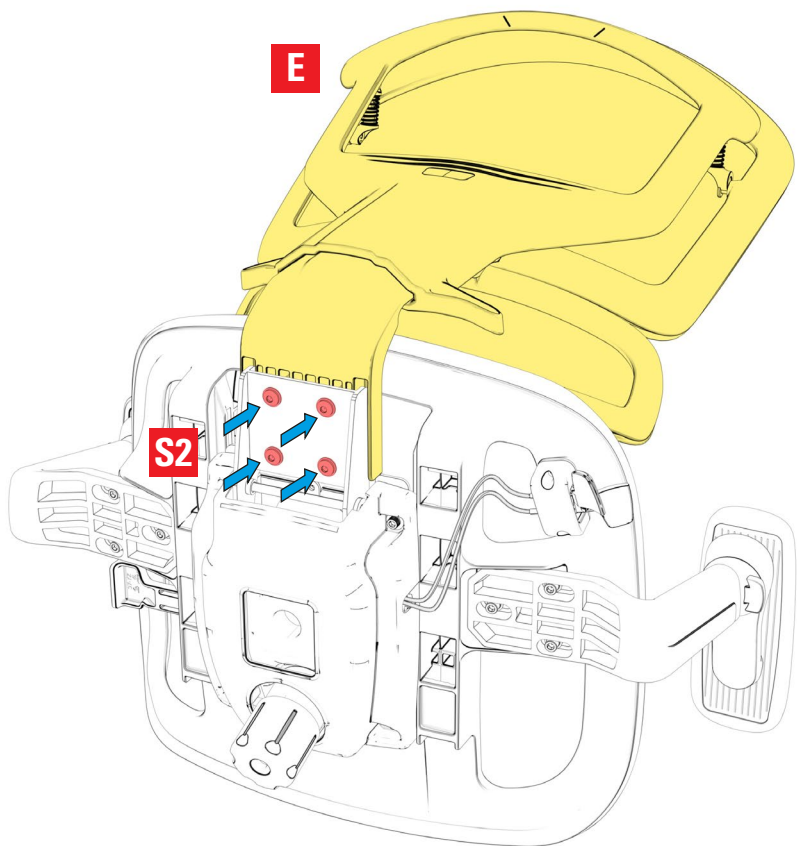


# Connect Mechanism

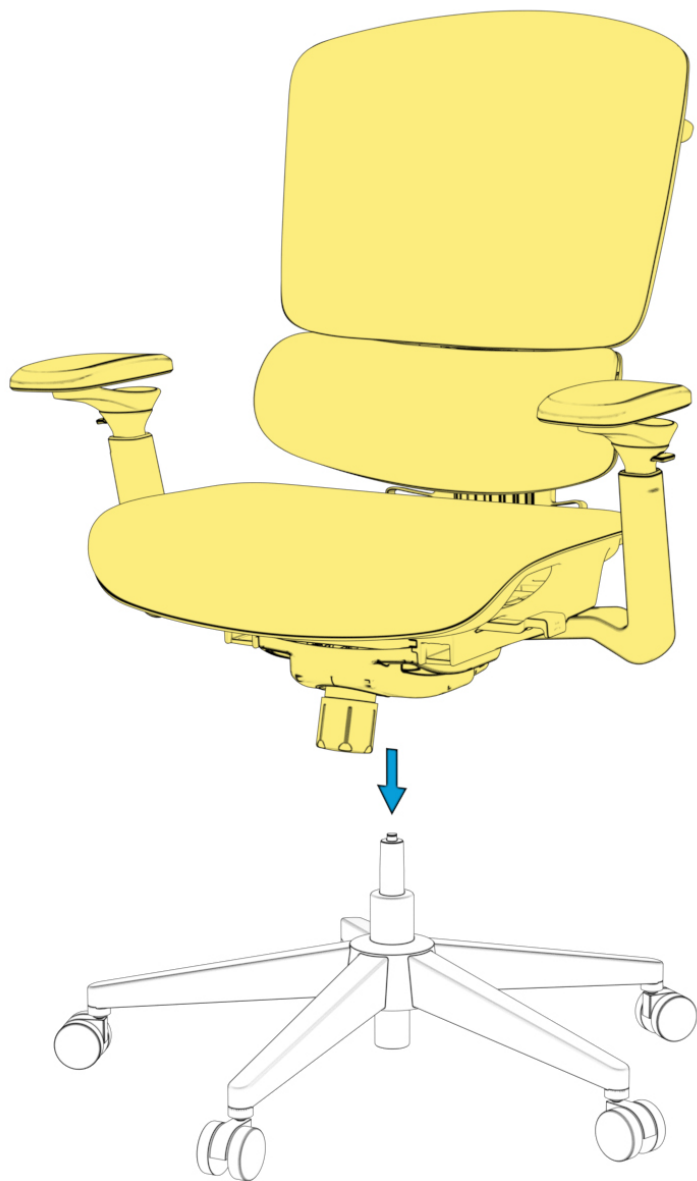
- |  |  |
|--|--|
| <b>S1</b> 4x  | <b>S4</b> 2x  |
|--|--|



# Connect Backrest with Seat Base



# Linking the Parts

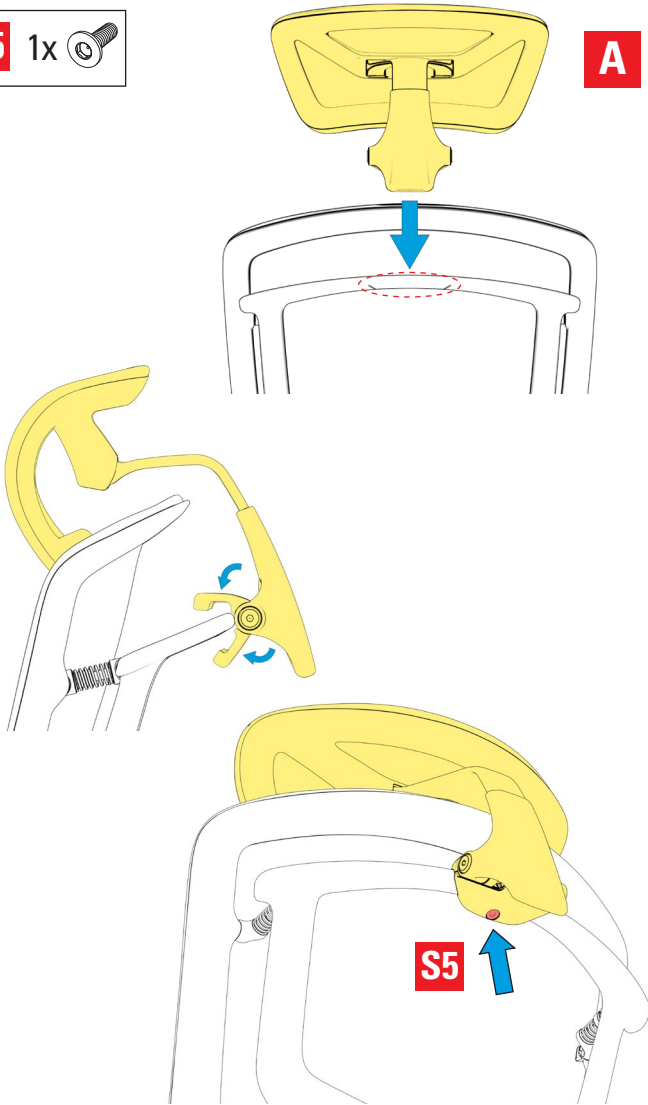


**Attention! To avoid damage to property or personal injury, ensure that the gas lift piston and chair mechanism are mounted correctly!**

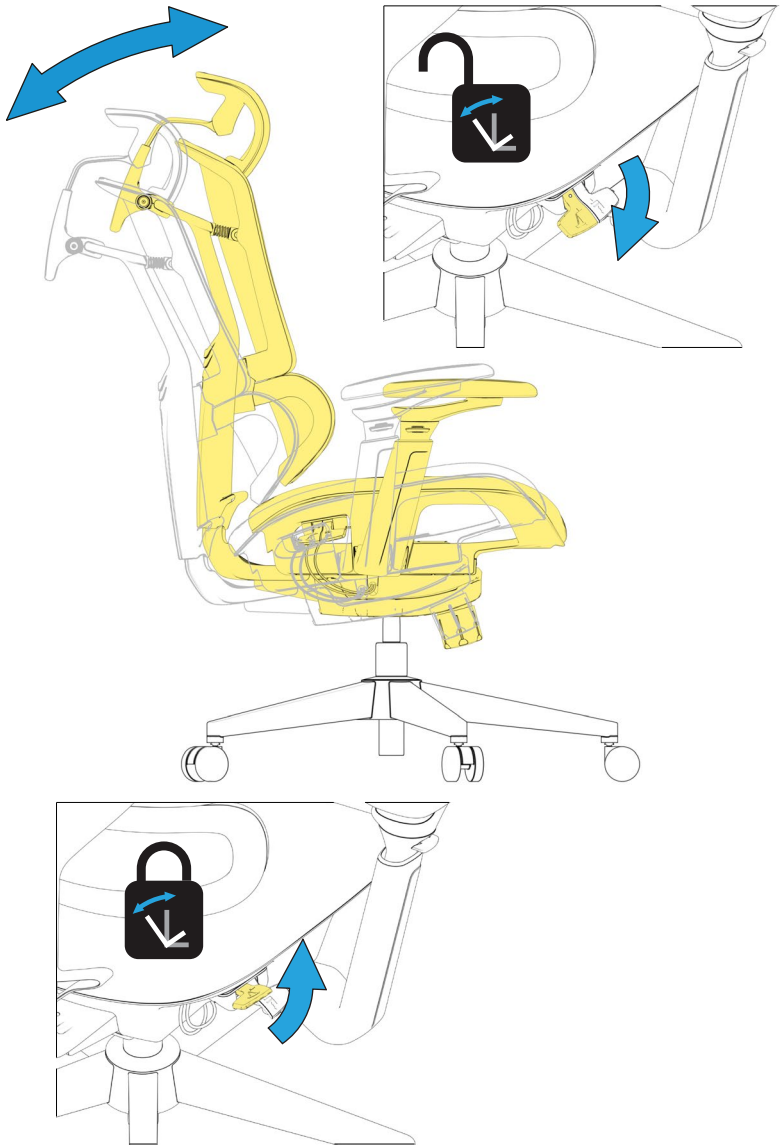
# Connect Headrest with Backrest

**S5** 1x 

**A**

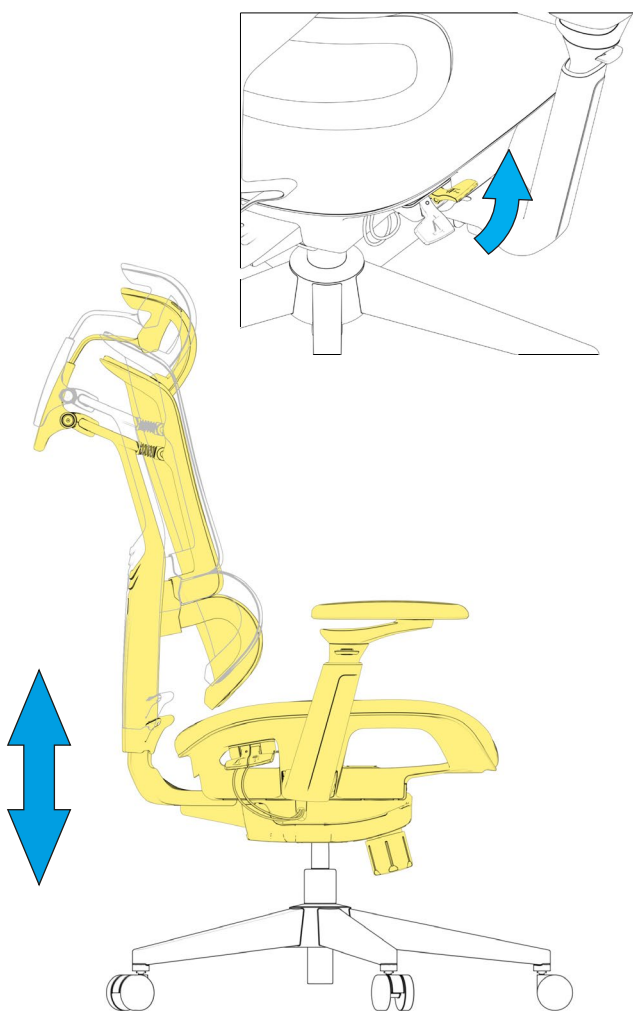


# Adjust Tilt



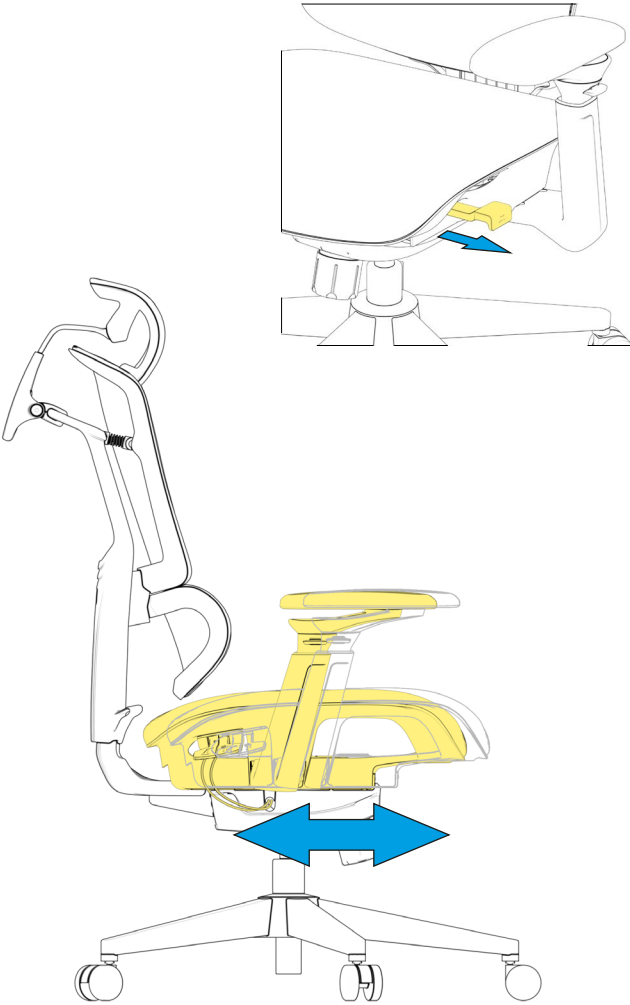
Once unlocked, slight pressure must first be applied to the backrest before the chair is released from the currently locked angle.

# Adjust Chair Height

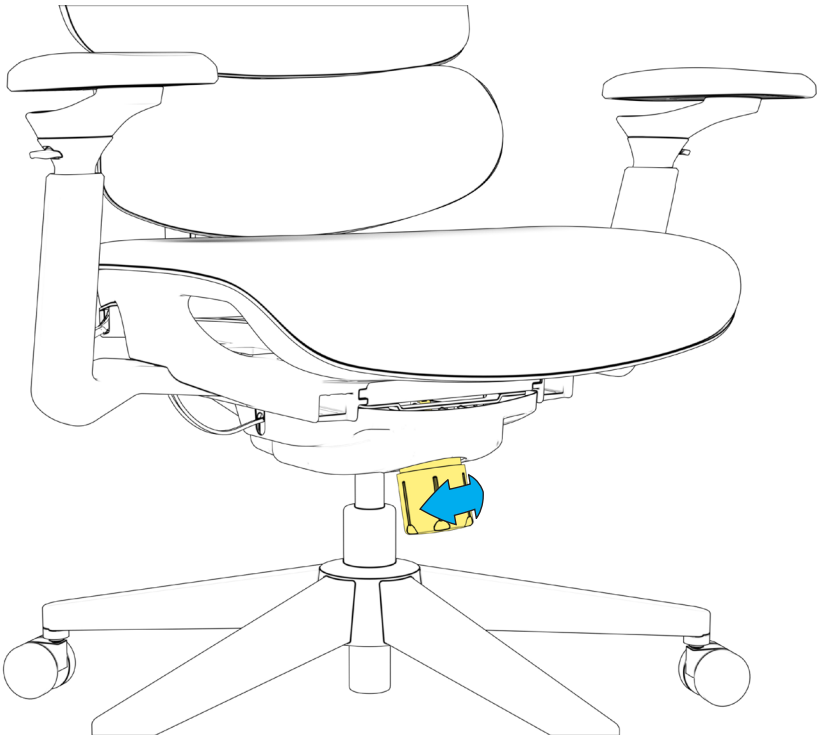


The chair can only be lowered when there is pressure on the seat base.  
The chair can only be raised when there is no pressure on the seat base.

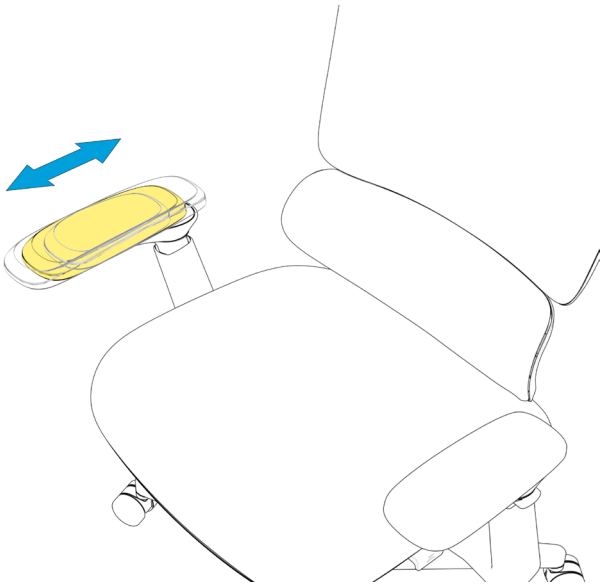
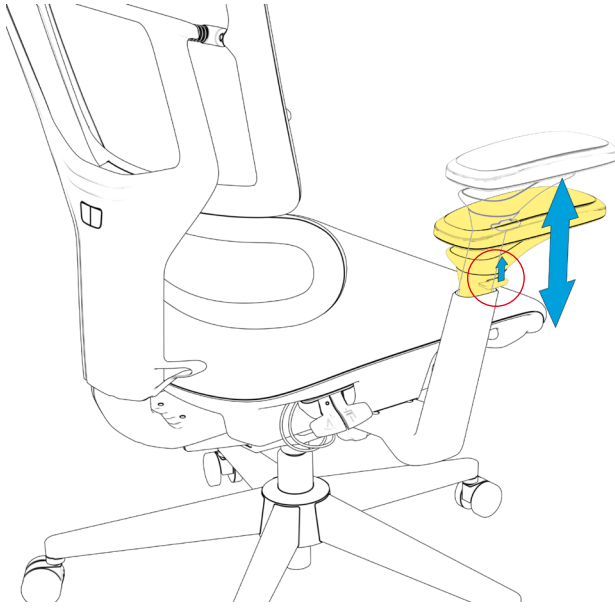
# Adjust Seat Depth



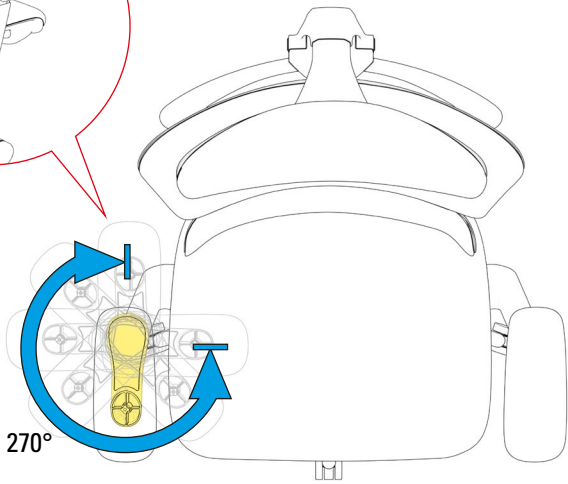
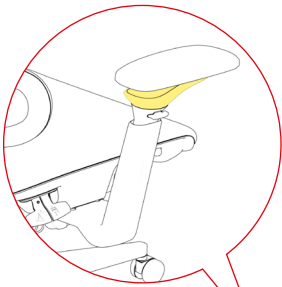
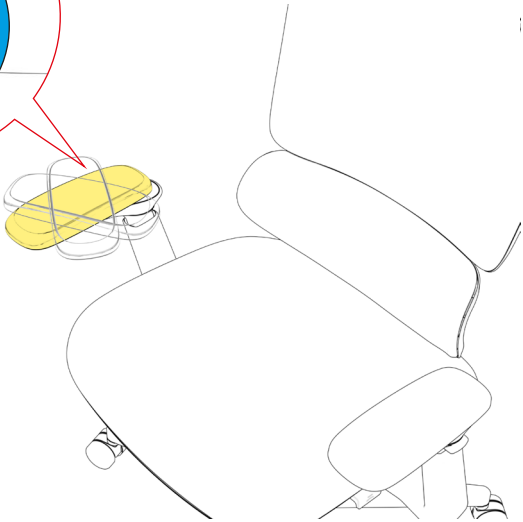
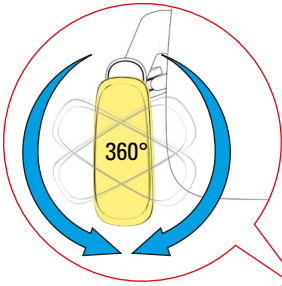
# Adjust Tilt Tension



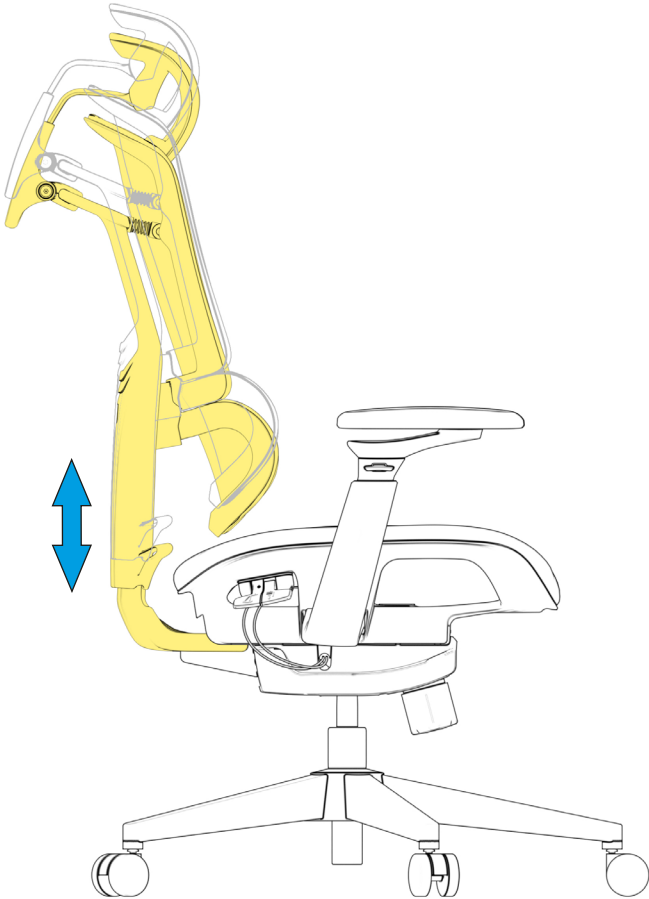
# Adjust Armrests



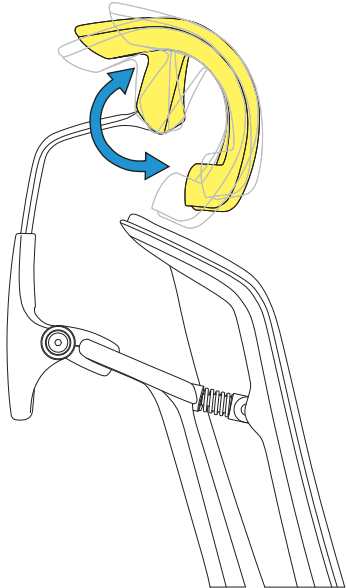
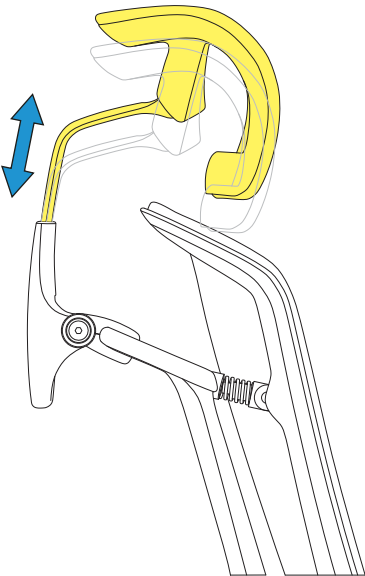
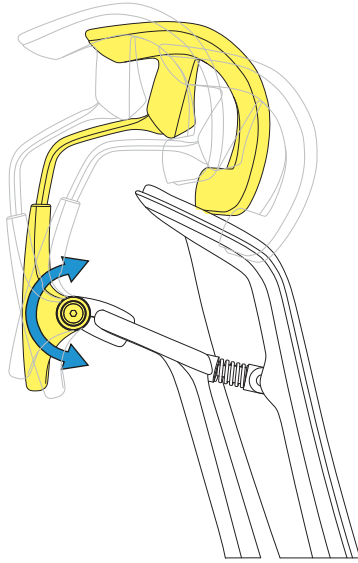
# Adjust Armrests



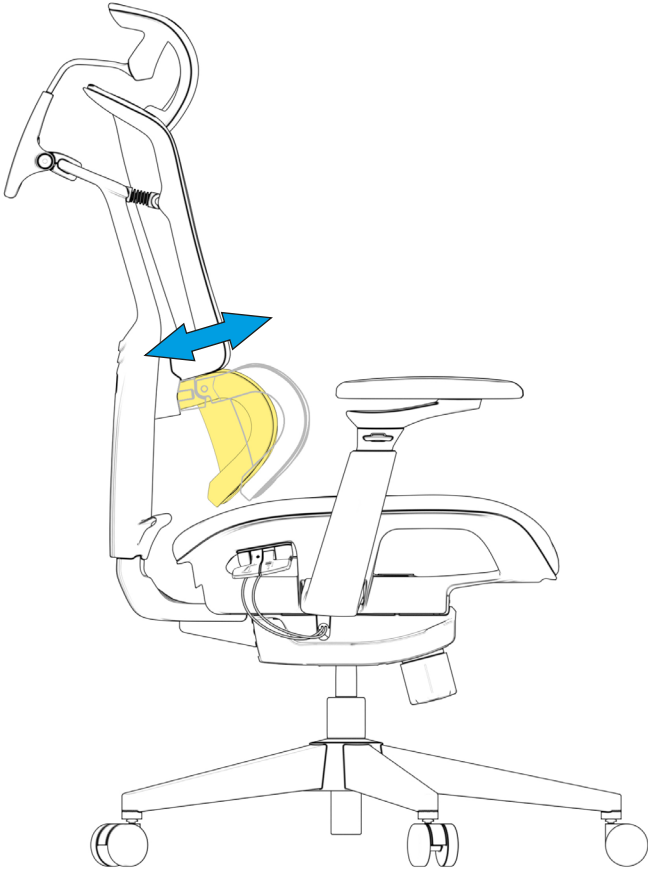
# Adjust Backrest



# Adjust Headrest



# Adjust Lumbar Support



## Legal Disclaimer

For potential loss of data, especially due to inappropriate handling, Sharkoon assumes no liability.

All named products and descriptions are trademarks and/or registered trademarks of the respective manufacturers and are accepted as protected.

As a continuing policy of product improvement at Sharkoon, the design and specifications are subject to change without prior notice. National product specifications may vary.

All rights reserved especially (also in extracts) for translation, reprinting, reproduction by copying or other technical means. Infringements will lead to compensation. All rights reserved, especially in case of assignation of patent or utility patent. Means of delivery and technical modifications reserved.

## Disposal

Your product is designed and manufactured with high-quality materials and components, which can be recycled and reused.



When this crossed-out wheeled bin symbol is attached to a product, it means the product is covered by the European Directive 2012/19/EU.

Dispose of waste electrical and electronic equipment in accordance with the regulations in your country and do not dispose of your old electrical and electronic equipment with normal household waste. Rechargeable and single-use batteries must be disposed of separately from other waste. The correct disposal of your old product will help prevent potential negative consequences to the environment and human health.

**Follow us on social media!**



Facebook



Instagram



YouTube



TikTok



X

**Sharkoon Technologies GmbH**

Grüninger Weg 48

35415 Pohlheim

Germany

© Sharkoon Technologies 2025