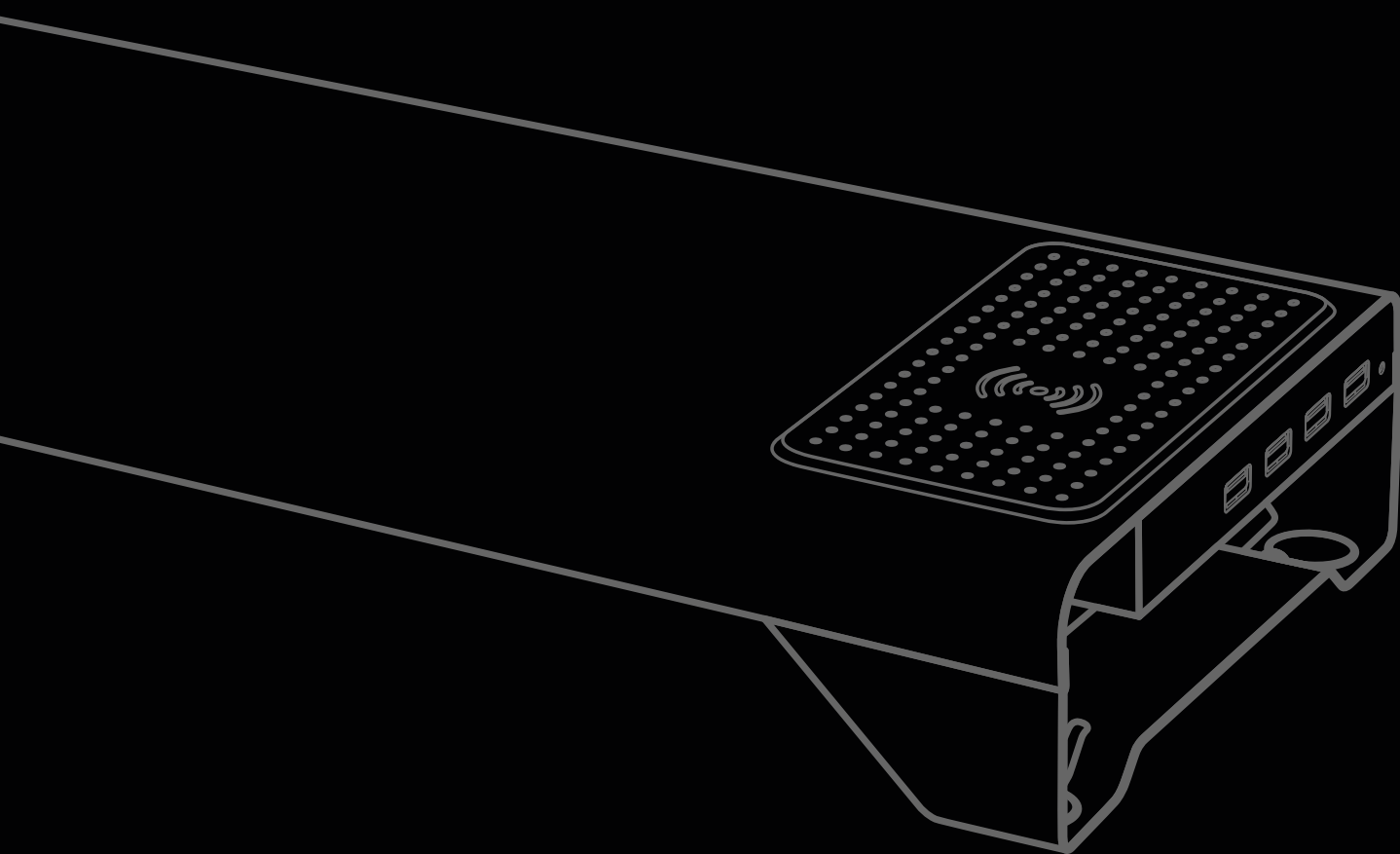




Monitor Stand POWER

MANUAL



Specifications

General

Material	Steel
Material Thickness	1.3 mm
Anti-Sliding Pads	✓
Color Versions	Black
Max. Load	20 kg
Weight	1.4 kg
Dimensions (L x W x H)	580 x 190 x 73 mm
Max. Height for Keyboards	4.6 cm
Max. Length for Keyboards	44 cm

USB Hub

Interfaces	4x USB 3.0
Max. Data Transfer Rate	5 Gbit/s
Cable Length	110 cm
Supported Operating Systems	Windows, macOS, Linux

Wireless Charger

Surface Material	Rubber
Input Power	5 V / 2 A
Output Power	5 V / 1 A
Max. Emitted Output	5 W
Frequency Range	110 kHz – 205 kHz
Foreign Object Detection	✓

Package Contents

- Monitor Stand POWER
- Manual
- USB 3.0 Cable (Type-A Plug to Type-B Plug)
- Power Adapter

Important Information

Read these instructions and guidelines before using the product. Damage to the product, resulting from failure to follow the instructions or guidelines, will void the guarantee.

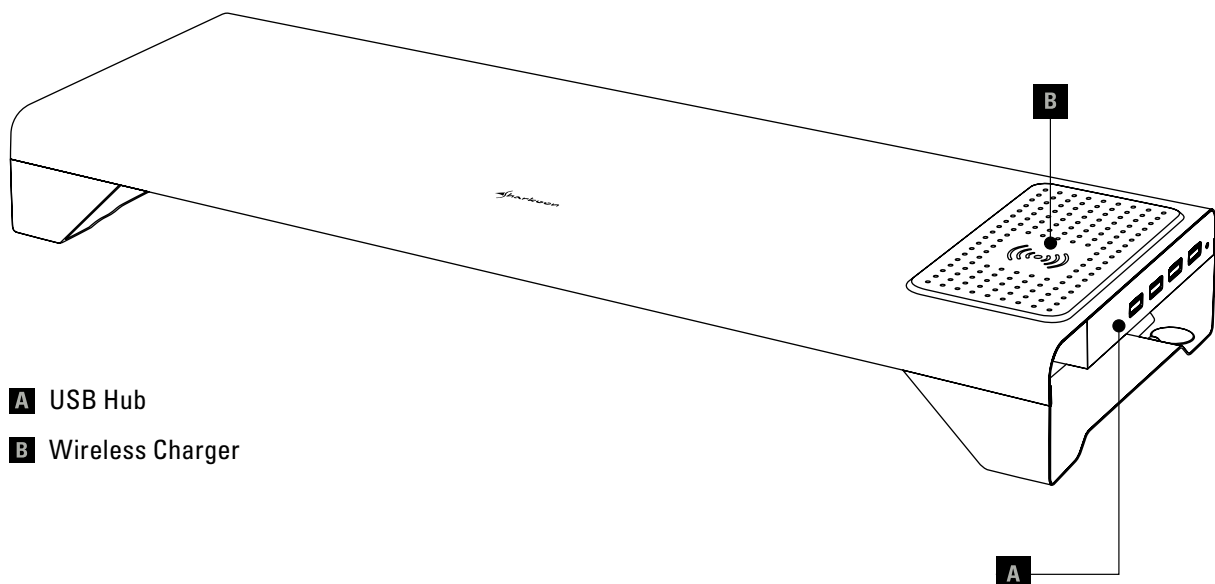
Intended Use

This product is intended for the wireless charging of compatible devices. Improper use of this product can lead to damage of property and personal injury. Compensation claims of any kind for any damage or loss resulting from improper use are excluded.

Product Safety Guidelines

- A) To avoid damage, do not place more than 20 kg total on the monitor stand.
- B) Ensure that the monitor, notebook, MacBook or iMac are placed centered on the Monitor Stand POWER.
- C) Do not attempt to disassemble or repair the product or its accessories yourself! If there are any problems with this device, contact our customer support at support@sharkoon.com.
- D) Keep the product away from heat sources and magnetic objects.
- E) Do not expose the monitor stand to water or moisture.
- F) The operating temperature should not exceed 40 °C during use.
- G) When cleaning the product, make sure that it is not connected to the power supply.
- H) Do not insert foreign objects into any openings of the product. This can cause damage inside the device.
- I) Contact Sharkoon customer support at support@sharkoon.com if the product and/or included accessories have been damaged and/or are not working properly.
- J) CAUTION! Avoid overheating of the device! Do not use or store the product near heat sources or in direct sunlight. Overheating of the device can cause damage!
- K) CAUTION! Do not use the product near liquids or allow the product to come into contact with liquids. Immediately unplug the USB and power cable if the product comes into contact with liquids. Irreparable damage may occur!
- L) CAUTION! If you have a pacemaker or other implanted device, contact your doctor or the manufacturer before using the wireless charging station.
- M) CAUTION! Only operate the power adapter of the device on undamaged, grounded (earthed) power outlets with AC 100 - 240 V and 50/60 Hz.

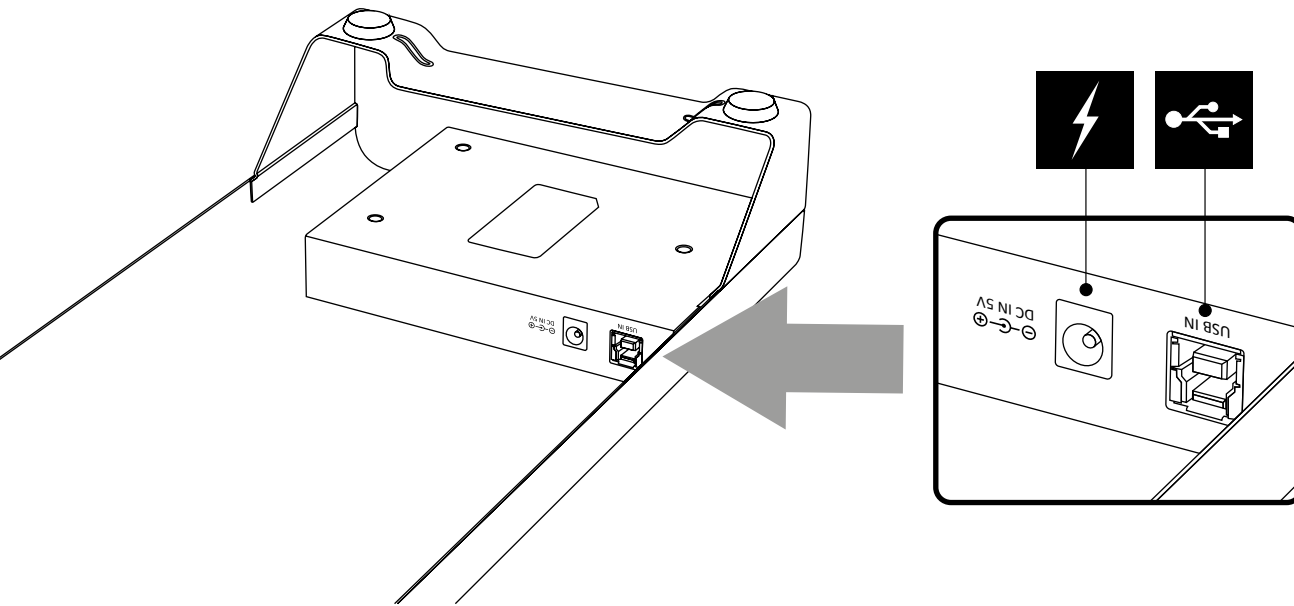
Overview



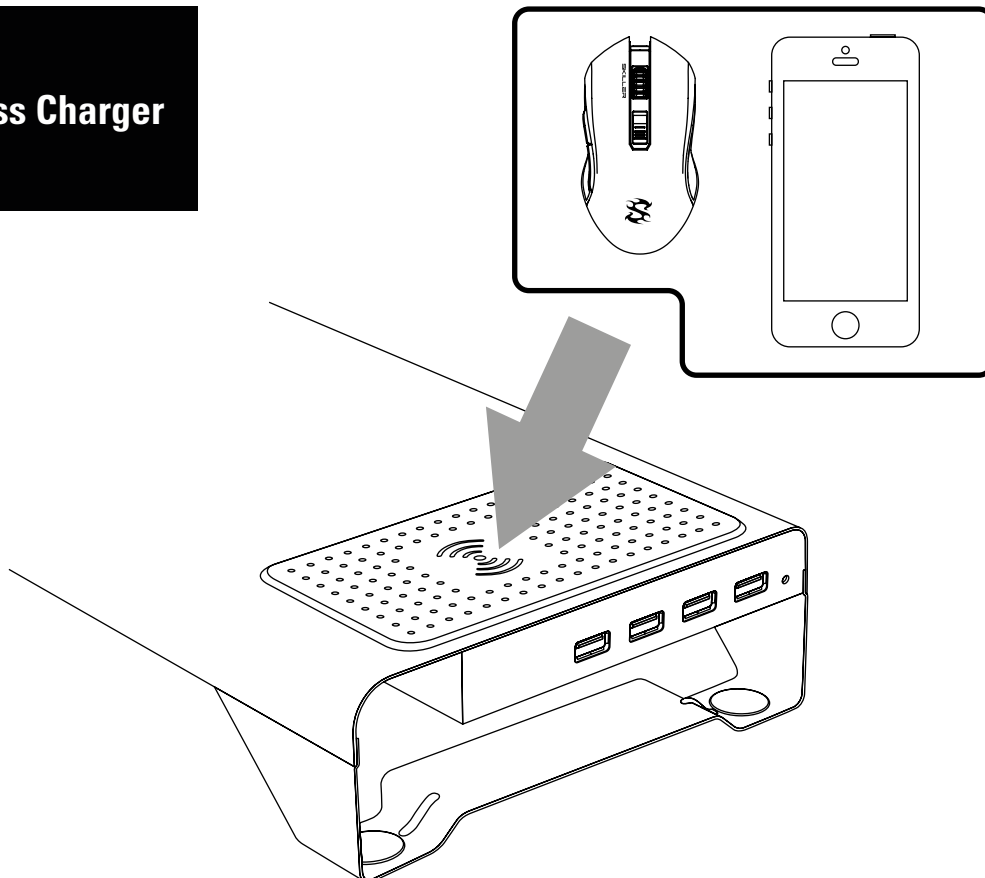
A USB Hub

B Wireless Charger

Power Supply / Connecting to the PC



Wireless Charger



For wireless charging of compatible devices, such as mice or smartphones, place the device centered on the wireless charger. The charging process should start automatically. If not, make sure that there are no resistors, such as smartphone cases, between the charger and the device.

Declaration of Conformity

Sharkoon Technologies GmbH hereby declares that this radio equipment type complies with the 2014/53/EU directive. The full EU Declaration of Conformity is available at the following web address:
https://www.sharkoon.com/Download/Gaming/Keyboards_Z/Monitor_Stand_POWER/CE%20Declaration%20Monitor%20Stand%20POWER.pdf

Legal Disclaimer

For potential loss of data, especially due to inappropriate handling, Sharkoon assumes no liability.

All named products and descriptions are trademarks and/or registered trademarks of the respective manufacturers and are accepted as protected.

As a continuing policy of product improvement at Sharkoon, the design and specifications are subject to change without prior notice. National product specifications may vary.

All rights reserved especially (also in extracts) for translation, reprinting, reproduction by copying or other technical means. Infringements will lead to compensation.

All rights reserved especially in case of assignation of patent or utility patent. Means of delivery and technical modifications reserved.

Disposal of your old product

Your product is designed and manufactured with high quality materials and components, which can be recycled and reused.



When this crossed-out wheeled bin symbol is attached to a product, it means the product is covered by the European Directive 2012/19/EU.

Please be informed about the local separate collection system for electrical and electronic products. Please act according to your local rules and do not dispose of your old products with your normal household waste. The correct disposal of your old product will help prevent potential negative consequences to the environment and human health.

Sharkoon Technologies GmbH

Grüninger Weg 48
35415 Pohlheim
Germany

© Sharkoon Technologies 2019

www.sharkoon.com