



**OfficePal**  
**M25W**

**Manual**

# Safety Instructions

## IMPORTANT INFORMATION

Read these instructions and guidelines before using the product. Damage to the product, resulting from failure to follow the instructions or guidelines, will void the guarantee.

## PRODUCT SAFETY GUIDELINES:

- Charge the product only with the supplied USB charging/data cable and a USB Type-A port on your computer.
- Use and store the product only in environments with controlled temperatures. Otherwise, damage to the product may occur!
- Clean this product only with a dry cloth. Moisture can cause damage to the product!
- CAUTION! Unplug the product via its USB cable when the product is not being used for a long period of time or during critical events such as power outages or electrical storms. Damage to the product or personal injury may occur!
- Contact Sharkoon customer support at [support@sharkoon.com](mailto:support@sharkoon.com) if the product and/or included accessories have been damaged and/or are not working properly.
- CAUTION! Avoid overheating of the device! Do not use or store the product near heat sources or in direct sunlight. Overheating of the device can cause damage!
- CAUTION! Do not use the product near liquids or allow the product to come into contact with liquids. Immediately unplug the USB cable if the product comes into contact with liquids. Irreparable damage may occur!
- Do not insert foreign objects into any openings of the product. This can cause damage inside the device.

## RECHARGEABLE BATTERY SAFETY GUIDELINES:

- This product contains a lithium-ion or lithium polymer battery. The battery cannot be serviced or repaired by the user. Any attempt by the user to replace the battery will automatically void the guarantee.
- Do not replace the battery with another! Should any problems occur with the product, contact Sharkoon customer support at [support@sharkoon.com](mailto:support@sharkoon.com).
- Never dispose of this product in the general waste! Please ensure the proper recycling of used electronic hardware and rechargeable batteries in accordance with local laws and regulations.

# Specifications

## General:

■ Type:	Dual Mode
■ Wireless Communication:	2.4 GHz
■ Max. Wireless Range:	10 m
■ Max. DPI/CPI:	4,000
■ Min. DPI/CPI:	400
■ Sensor:	Optical
■ Chip:	PixArt PAW3104DB
■ Illumination:	RGB
■ Max. Polling Rate:	1,000 Hz
■ Lift-Off Distance:	1–2 mm
■ Frames Per Second:	4,000
■ Inches Per Second:	45
■ Max. Acceleration:	15 g
■ Mouse Feet:	3, 100 % PTFE
■ Color Versions:	Black, White
■ Weight Without Cable:	69 g/67 g (without USB Nano Receiver)
■ Dimensions (L x W x H):	106 x 73 x 37 mm
■ Supported Operating Systems:	Windows

## Button Properties:

■ Number of Buttons:	6
■ Main Button Switches:	Huano
■ Operating Life Cycles of Buttons:	Min. 30 Million Clicks

## DPI Properties:

■ DPI Levels:	400, 1,600, 2,400, 4,000
■ DPI Switch:	✓
■ DPI Indicator:	LED

## Battery Properties:

■ Type:	Lithium-Ion
■ Capacity:	500 mAh
■ Battery Life:	Max. 50 Hours
■ Recharge Option:	Wired (USB)

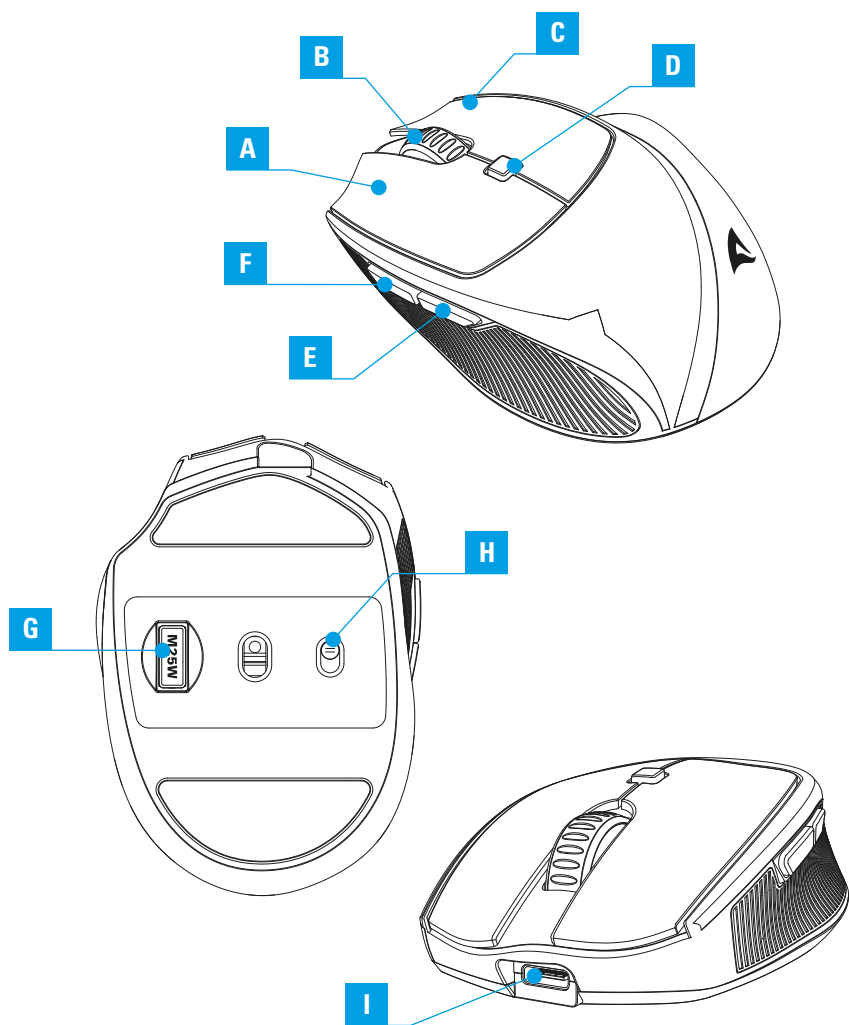
## Cable and Connectors:

■ Connector:	USB-C to USB-C/USB-A
■ Gold-Plated USB Plug:	✓
■ Textile-Braided Cable:	✓
■ Cable Length:	180 cm

## Package Contents:

■ OfficePal M25W, Additional Set of Mouse Feet, USB Power and Data Cable, USB Nano Receiver
---

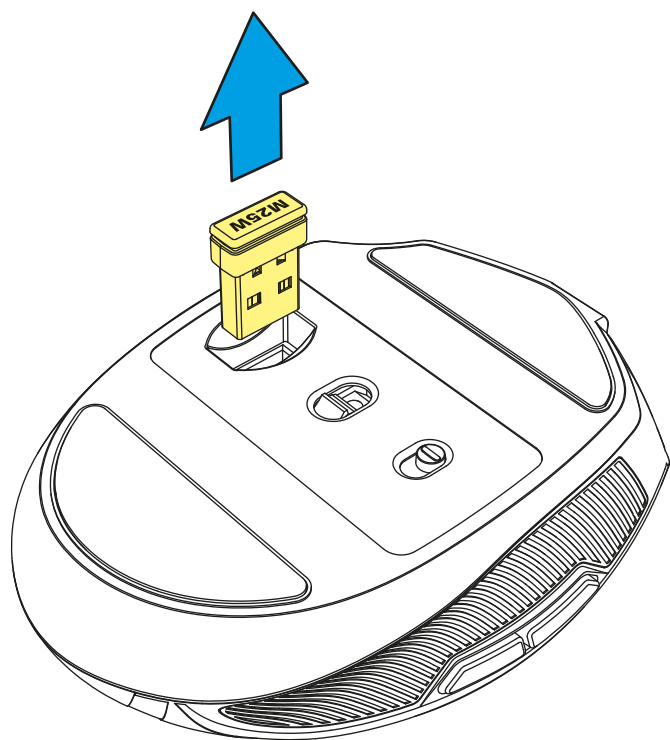
# Overview



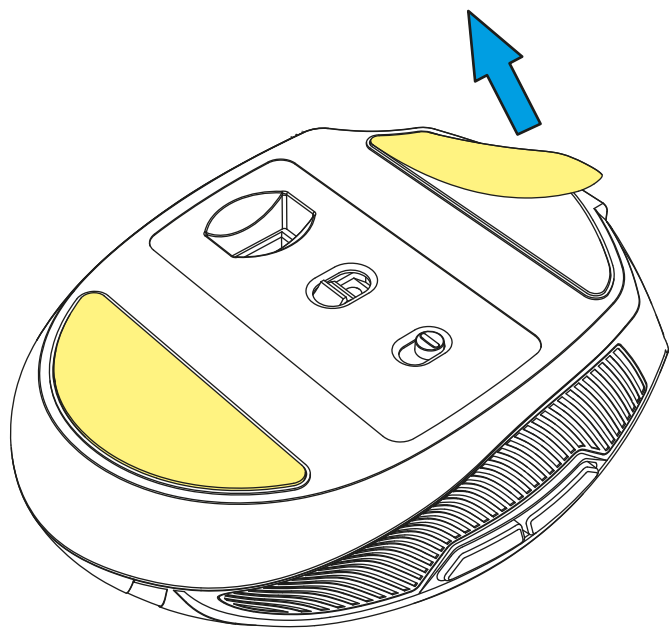
- A** Left Mouse Button
- B** Scroll Wheel
- C** Right Mouse Button
- D** DPI Switch
- E** Thumb Button 2
- F** Thumb Button 1

- G** USB Nano Receiver
- H** On/Off Switch
- I** USB Connector

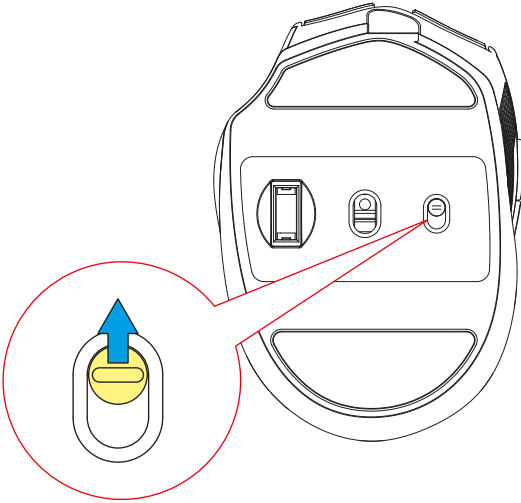
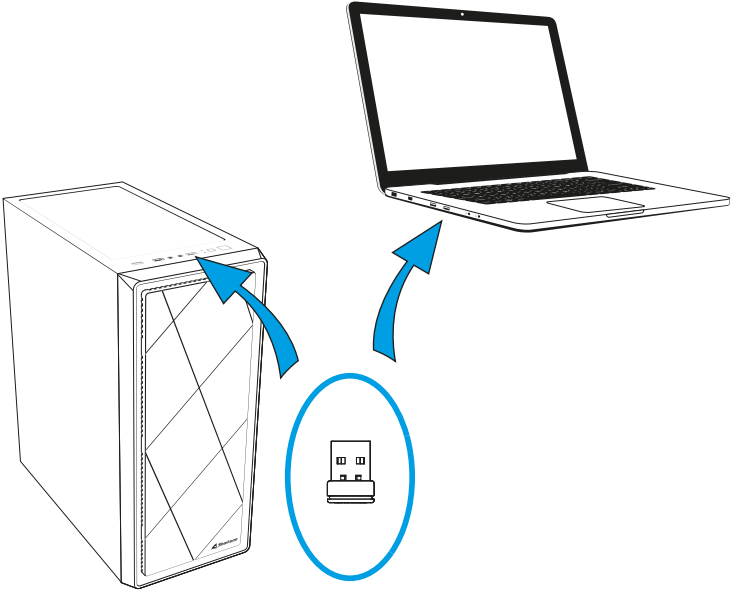
# Remove USB Nano Receiver



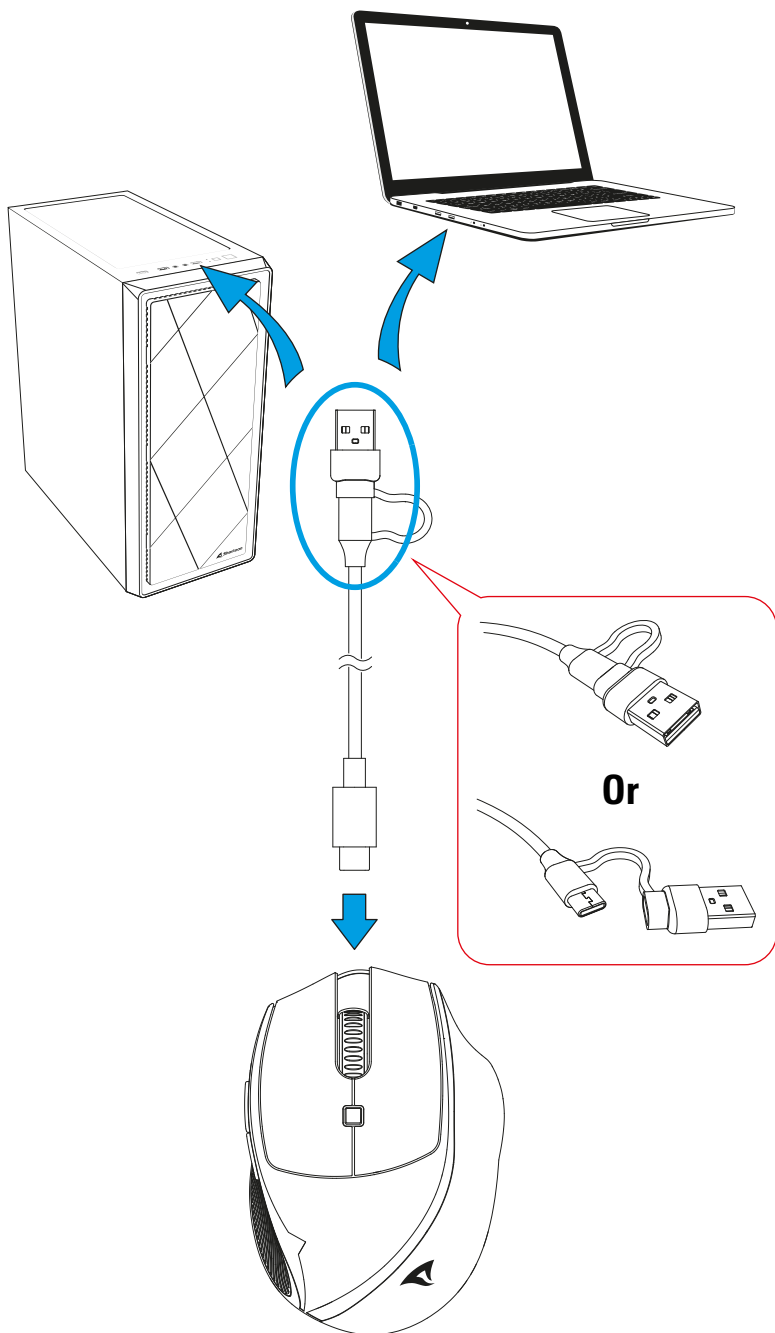
# Remove Protection Foil



# Connect via USB Nano Receiver

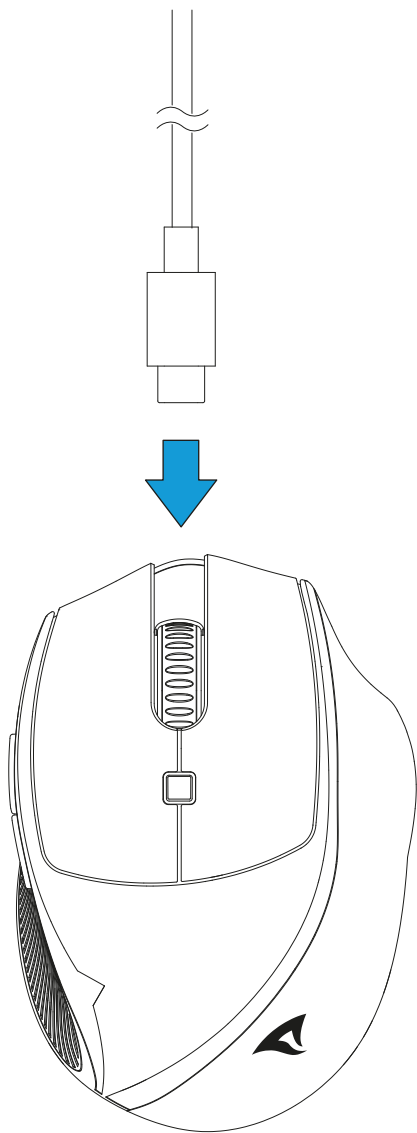


# Connect via Cable





# Charge the Mouse



## EU Declaration of Conformity

Sharkoon Technologies GmbH hereby declares that this device complies with the RoHS (2011/65/EU) and R.E.D (2014/53/EU) directives.

The full EU Declaration of Conformity is available on the website

[https://www.sharkoon.com/Download/Gaming/Mouse/OfficePal\\_M25W/CE.zip](https://www.sharkoon.com/Download/Gaming/Mouse/OfficePal_M25W/CE.zip)

Frequency Range: 2.402 GHz – 2.480 GHz

EIRP Transmit Power: < 0 dBm

Operating Temperature: 0 °C – +40 °C

## Legal Disclaimer

For potential loss of data, especially due to inappropriate handling, Sharkoon assumes no liability.

All named products and descriptions are trademarks and/or registered trademarks of the respective manufacturers and are accepted as protected.

As a continuing policy of product improvement at Sharkoon, the design and specifications are subject to change without prior notice. National product specifications may vary.

All rights reserved especially (also in extracts) for translation, reprinting, reproduction by copying or other technical means. Infringements will lead to compensation. All rights reserved especially in case of assignation of patent or utility patent. Means of delivery and technical modifications reserved.

## Disposal of your old products

Your product is designed and manufactured with high quality materials and components, which can be recycled and reused.



When this crossed-out wheeled bin symbol is attached to a product, it means the product is covered by the European Directive 2012/19/EU.

Please be informed about the local separate collection system for electrical and electronic products. Please act according to your local rules and do not dispose of your old products with your normal household waste. The correct disposal of your old product will help prevent potential negative consequences to the environment and human health.

## Follow us on social media!



Facebook



Instagram



YouTube



TikTok



X

**Sharkoon Technologies GmbH**

Grüninger Weg 48

35415 Pohlheim

Germany

© Sharkoon Technologies 2024



R39507  
RoHS

